

Vertical Multi-Stage In-Line Pumps 立式多段泵浦



Construction

Vertical multi-stage pumps with suction and delivery connections of the same diameter and arranged along the same axis (in-line).
Corrosion-resistant bearing sleeves lubricated by the pumped liquid.
Removal of the mechanical seal without dismantling the motor (for MXV 50, MXV 100 with motors exceeding 4 KW).
A pump with thrust bearing and sleeve coupling for use of any standard motor with IM V1 construction.

Version with frequency converter (on request)

Applications

For water supply systems.
For clean non-explosive liquids, without solid, filamentary or abrasive matter (with adaptation of sealing materials on request).
A universal pump for civil and industrial use, for pressure-boosting systems, fire-extinguishing systems, high-pressure washing plants, irrigation, agricultural uses and sport installations.

Operating conditions

Temperature of liquid: from -15 °C to +110 °C (up to +120 °C for MXV 50).
Operating environment temperature: up to 40 °C.
Maximum permissible pressure in pump casing: 25 bar (16 bar for pumps with oval flanges).

Motor

Standard-type: 2 pole induction motor, 60 Hz.
Motor suitable for operation with frequency converter.
Classification scheme IE3 for three-phase motors.
Construction IM V1.
Insulation class F. Protection IP 55.
Three-phase with rated voltage: 220/380 V, 220/440 V, up to 3 kW;
380/660 V, from 4 to 45 kW;

結構

直立多段不銹鋼泵浦，吸水和排水口尺寸相同，且並列於同一直線上(In-line)
抗腐蝕之軸套可藉由泵浦輸送之液體加以潤滑
在不拆卸馬達的情況下拆除機械軸封（適用於馬達功率超過4 KW的MXV 50、MXV 100系列）。
泵浦軸承及連軸器之設計，可與任何IM V1標準結構之馬達搭配使用。

搭配變頻器（依客戶需求提供）

應用

- 供水系統。
- 無爆裂物質、無顆粒、無雜質、或不具腐蝕性之乾淨液體。（依需求供應適用之軸封材質）
- 泛用型泵浦，適用於民生、工業、加壓系統、消防設備、高壓清洗機、農業灌溉及運動場地之應用。

操作條件

液體溫度-15°C至+110°C (MXVL 50最高可達120°C)
周圍溫度至40°C
泵浦本體可承受最大壓力值為25 bar。
(橢圓形法蘭的泵浦為16bar)

馬達

標準類型：2極感應電動馬達，60Hz
馬達適用運作於變頻器
使用歐盟效能指標高效率IE3三相馬達
結構為IM V1
絕緣等級：F，保護等級：IP55
三相之額定電壓：3kW以下為220/380V, 220/440V
4至45kW為380/660V

MXV 25, 32, 40, 50

All parts that come into contact with the liquid, including wet-end covers, are in chrome-nickel stainless steel AISI 304.

Materials (wetted parts)

Component	Material
Flange - External jacket Suction casing Delivery casing Stage casing - Impeller Lower cover - Upper cover Spacer sleeve	Chrome-nickel steel 1.4301 EN 10088 (AISI 304)
Pump shaft Plug	Chrome-nickel steel 1.4305 EN 10088 (AISI 303), (for MXV 50 AISI 304)
Bearing sleeve Bearing in stage casing	Corrosion-resistant, cemented carbide Ceramic alumina
Mechanical seal ISO 3069 KU	Hard metal/Carbon/EPDM.
Wear ring	PPS (PTFE for MXV 40)
O-rings	NBR (EPDM for MXV 50)

Direction of rotation: **clockwise** as seen from the motor.

Variants (to be specified when ordering)

Pump with threaded ports **(G)** (for MXV 25, 32, 40). Pump with flanged ports **(F)**. Pump with oval flange ports **(O)** (for MXV 50).
Pump without motor. Pump with standard motor.

Other variants (on request)

With counter-flanges in chrome-nickel steel.
O-rings FPM. - Other mechanical seal.
Pump with motor of Client's choice (if available).
Single-phase motor 220 V, up to 2.2 kW.
Other voltage ratings.
Higher or lower liquid or ambient temperatures.

MXV 65, 80, 100

Internal parts in contact with the liquid in chrome-nickel stainless steel, AISI 304 with pump casing and upper cover in cast iron.

Materials (wetted parts)

Component	Material
Pump casing Upper cover	Cast iron GJL 250 EN 1561
External jacket Stage casing Impeller Spacer sleeve	Chrome-nickel steel 1.4301 EN 10088 (AISI 304)
Pump shaft Plug	Cr-Ni steel AISI 303 (AISI 431 for MXV 100) Cr-Ni steel AISI 303 (AISI 431 for MXV 100)
Bearing sleeve Bearing in stage casing	Corrosion-resistant, cemented carbide Ceramic alumina (Corrosion-resistant, cemented carbide for MXV 100)
Mechanical seal ISO 3069 - KU	Hard metal/Carbon/EPDM
Wear ring	PTFE
O-rings	NBR (EPDM for MXV 100)

Direction of rotation: **anticlockwise** as seen from the motor (**clockwise** as seen from the motor for MXV 100).

Variants (to be specified when ordering)

Pump without motor. - Pump with standard motor.

Other variants (on request)

O-rings FPM. Other mechanical seal.
Pump with motor of Client's choice (if available).
Other voltage ratings.
Pump with support feet for horizontal installation **(H1 or H2)**.
Support feet for horizontal installation, set.
Welding counter-flanges, PN 25 (steel).
Higher or lower liquid or ambient temperatures.

MXV 25, 32, 40, 50

與液體接觸之全部零件，皆為AISI 304不鏽鋼材質。

材質（與液體接觸部分）

零件	材質
法蘭-泵浦外殼 吸入端外殼 出水罩 導葉輪-葉片 底盤-頂盤 軸套	不鏽鋼材質 1.4301 EN 10088 (AISI 304)
泵浦軸心 塞頭	不鏽鋼材質 1.4305 EN 10088 (AISI 303) (MXV 50系列為不鏽鋼材質 AISI 304)
水潤滑軸承 導葉輪含軸承	抗腐蝕，強化碳化合物 氧化鋁陶瓷
機械軸封 ISO 3069 KU	硬金屬 / 炭精 / EPDM
磨損環	PPS (MXV 40系列為PTFE)
O型環	NBR (MXV 50系列為EPDM)

運轉方向：從馬達端往下看，為**順時針**方向。

泵浦結構之搭配（請於訂購時指定）

(G)牙口泵浦：MXV 25, 32, 40系列
(F)法蘭口泵浦、**(O)**橢圓形法蘭：MXV 50系列
泵浦不含馬達
泵浦含標準型馬達

其他搭配（依需求提供）

搭配不銹鋼相對法蘭
FPM材質O型環 -其他材質機械軸封
泵浦搭配客戶指定之馬達
單相220V、2.2kW以下之馬達
其他額定電壓
更高或低液體或周圍溫度需求

MXV 65, 80, 100

與液體接觸之內部零件為AISI304不鏽鋼材質，泵浦外罩為AISI304不鏽鋼材質，頂盤為鑄鐵。

材質（與液體接觸部分）

零件	材質
下座 頂盤	鑄鐵 GJL 250 EN 1561
泵浦外罩 導葉輪 葉片 軸套	不鏽鋼 1.4301 EN 10088 (AISI 304)
泵浦軸心 塞頭	不鏽鋼 AISI 303 (MXV 100為AISI 431) 不鏽鋼 AISI 303 (MXV 100為AISI 431)
水潤滑軸承 導葉輪含軸承	抗腐蝕，強化碳化合物 氧化鋁陶瓷 (MXV 100為抗腐蝕，強化碳化合物)
機械軸封 ISO 3069 KU	硬金屬 / 炭精 / EPDM
磨損環	PTFE
O型環	NBR (MXV 100為EPDM)

運轉方向：從馬達端往下看，為**逆時針**方向
(MXV100為**順時針**方向)。

泵浦結構之搭配（請於訂購時指定）

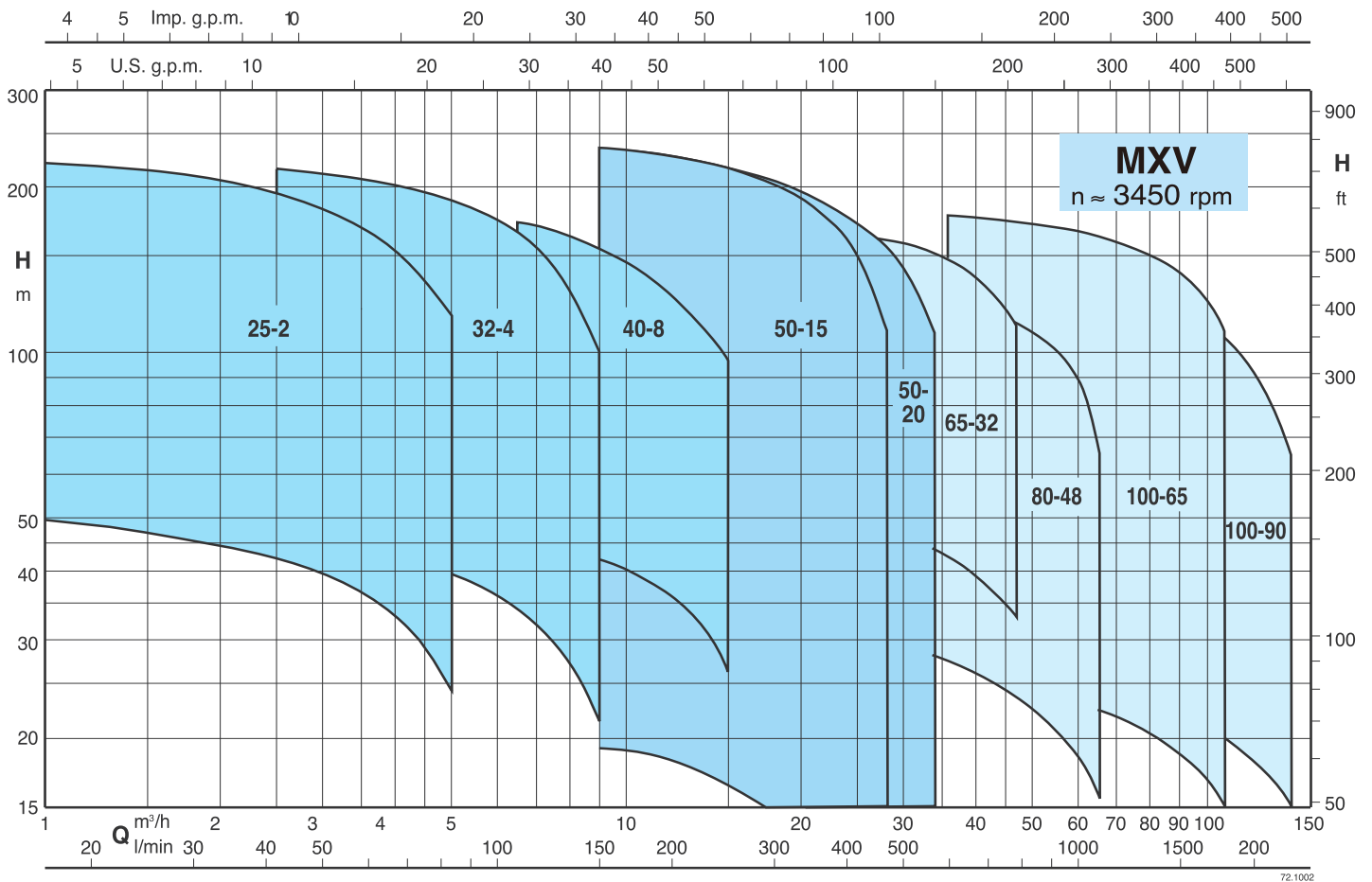
泵浦不含馬達 - 泵浦含標準型馬達。

其他搭配（依需求提供）

FPM材質O型環
泵浦搭配客戶指定之馬達
其他額定電壓
泵浦以臥式安裝 **(H1或H2)** 所需搭配的腳架
臥式安裝所需之腳架組件
焊接相對法蘭，PN25（不銹鋼）
更高或低液體或周圍溫度需求

Coverage chart - 性能總表

n ≈ 3450 rpm



Designation

MXV EI 65-32 05 H1 *
 MXV EI 25- 2 05 G *

Series _____
 With frequency converter I-MAT _____
 DN ports in mm _____
 Rated capacity in m³/h (n = 3450 rpm) _____
 Number of stages _____

Construction variants
 threaded ports (for MXV 25,32,48) _____ G
 flanged ports (for MXV 25,32,48,50) _____ F
 Oval Flange Ports (for MXV 50) _____ O
 with support feet for horizontal installation H, variant 1 (for MXV 50,65,80,100) _____
 with motor (or without motor) _____

* with no further designation = with standard motor

型號說明

MXV EI 65-32 05 H1 *
 MXV EI 25- 2 05 G *

機種代號 _____
 加裝I-MAT變頻器 _____
 DN口徑 (單位: mm) _____
 水量單位 m³/h (n = 3450 rpm) _____
 葉片段數 _____

結構上特殊需求
 牙口 (適用於MXV 25,32,48) _____ G
 法蘭口 (適用於MXV 25,32,48,50) _____ F
 橢圓形法蘭 (適用於MXV 50) _____ O
 臥式安裝所配置腳架 (適用於MXV 50,65,80,100) _____
 附馬達 (或無附馬達) _____
 *無任何描述=附標準馬達

MXV EI 60 Hz



Pumps with frequency converter

The **MXV EI** pumps are available with power from 1,1 kW up to 22 kW, the pumps are equipped with **I-MAT** installed on board which allows to realize a variable-speed system extremely compact and efficient, ideal in applications of water supply and in the distribution of hot and cold water. The pump is equipped with transducers suitable for operation and is already programmed at the factory.

Advantages

- Energy saving
- Compact design
- Easy to use
- Programmable to suit the system requirements
- Reliability

Costruction

The system comprises of:

- Pump
- Induction motor
- I-MAT Frequency converter
- Motor adapter for the motor mounting of the frequency converter
- Connection cable between frequency converter and induction motor
- Transducers

Main features

Rated motor power output from 1,1 kW to 22 kW
Control range from 1750 to 3450 rpm (2-pole)
Protection against dry running
Protection against operations with closed valve ports
Protection against system leakages
Protection against overcurrent in the motor
Protection against overvoltage and undervoltage of the power supply
Protection against current unbalances between phases

泵浦搭配變頻器

MXV EI 泵浦規格從1,1 kW到22 kW，在泵浦上配置**I-MAT**變頻器使系統更有效率，應用於供水設備及冷熱水設備。泵浦已裝有壓力傳送器，適用於各項操作，且完成程式設定。



優點

- 節能
- 簡潔設計
- 操作簡單
- 可依系統需求編輯程式
- 可靠

結構

該系統包括：

- 泵浦
- 電動馬達
- I-MAT變頻器
- 馬達固定座(變頻器安裝於馬達使用)
- 連接電纜(於變頻器及馬達之間)
- 壓力傳送器

主要特色

馬達額定輸出功率：1,1 kW至22 kW
控制範圍：1750至3450rpm (2極)
防乾轉保護裝置
防止系統在閥門在關閉情況下操作
防止系統漏水
馬達過電流保護裝置
防止電壓和供電量
防止欠相保護

Operating modes

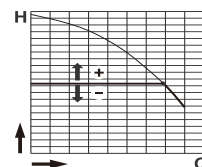


Constant pressure mode
with pressure transducer

In this mode, the system maintains the preset pressure when the flow required by the installation changes.

恆壓模式
與壓力感應器

此模式依水量變化來維持壓力設定值。

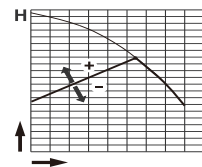


Proportional pressure mode
with pressure transducer

In this mode the system changes the working pressure according to the required flow rate.

比例壓力模式
與壓力感應器

此模式依據流量來更變系統運轉壓力。

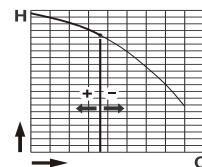


Constant flow mode
with flow meter

In this mode the system maintains a constant flow rate value in a point of the installation according to the required pressure.

定量模式
與流量計

此模式依據需求壓力來維持流量值。

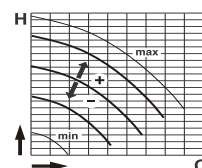


Fixed speed mode
with setting of the speed preferential rotation.

In this mode, by changing the working frequency, you may choose any operational curve included within the working range.

定速模式
與設定先取速度旋轉

此模式須選擇操作曲線包括運準範圍。



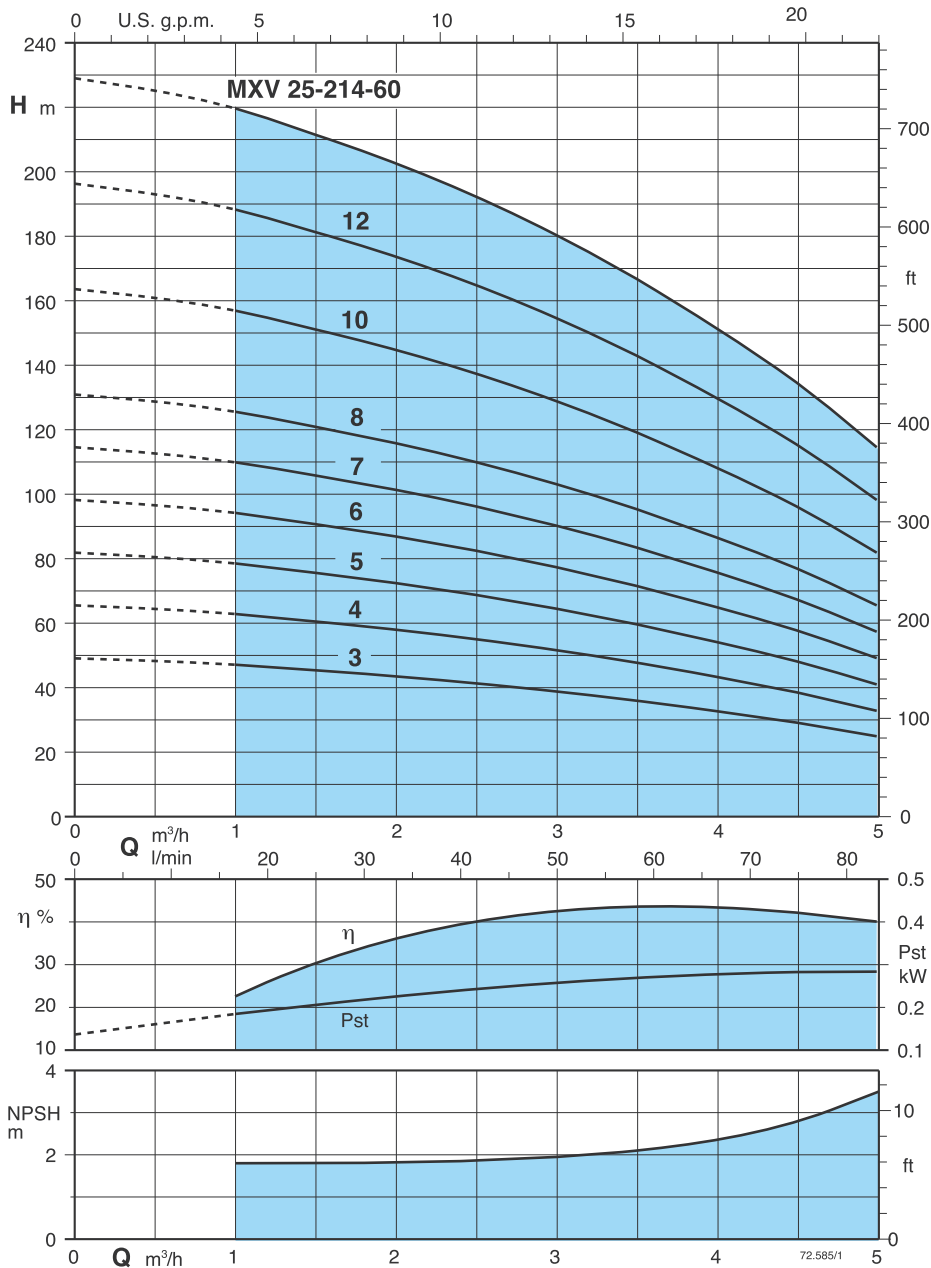
Constant temperature mode
with temperature transducer

In this mode the system keeps the temperature constant inside a system by changing the speed of the pump.

恆溫模式
與溫度感應器
依照泵浦速度變換，維持系統內部溫度。

Characteristic curves - 性能曲線

n ≈ 3450 rpm



Test results with clean cold water, without gas content.
A safety margin of + 0.5 m is recommended for the NPSH value.

Head and power values valid for liquids with density $\rho = 1,0 \text{ kg/dm}^3$ and kinematic viscosity $\nu = \text{max } 20 \text{ mm}^2/\text{sec}$.

Tolerances in accordance with UNI EN ISO 9906:2012.

Pst Power with reference to one stage.
P2 Rated motor power output.

測試結果以無氣體含量乾淨冷水所得的數據
需在NPSH值+0,5m為安全係數。

達成揚程及功率值，液體需為密度
=1,0 kg/dm 及動態黏度 = 20mm /sec最大
大值。

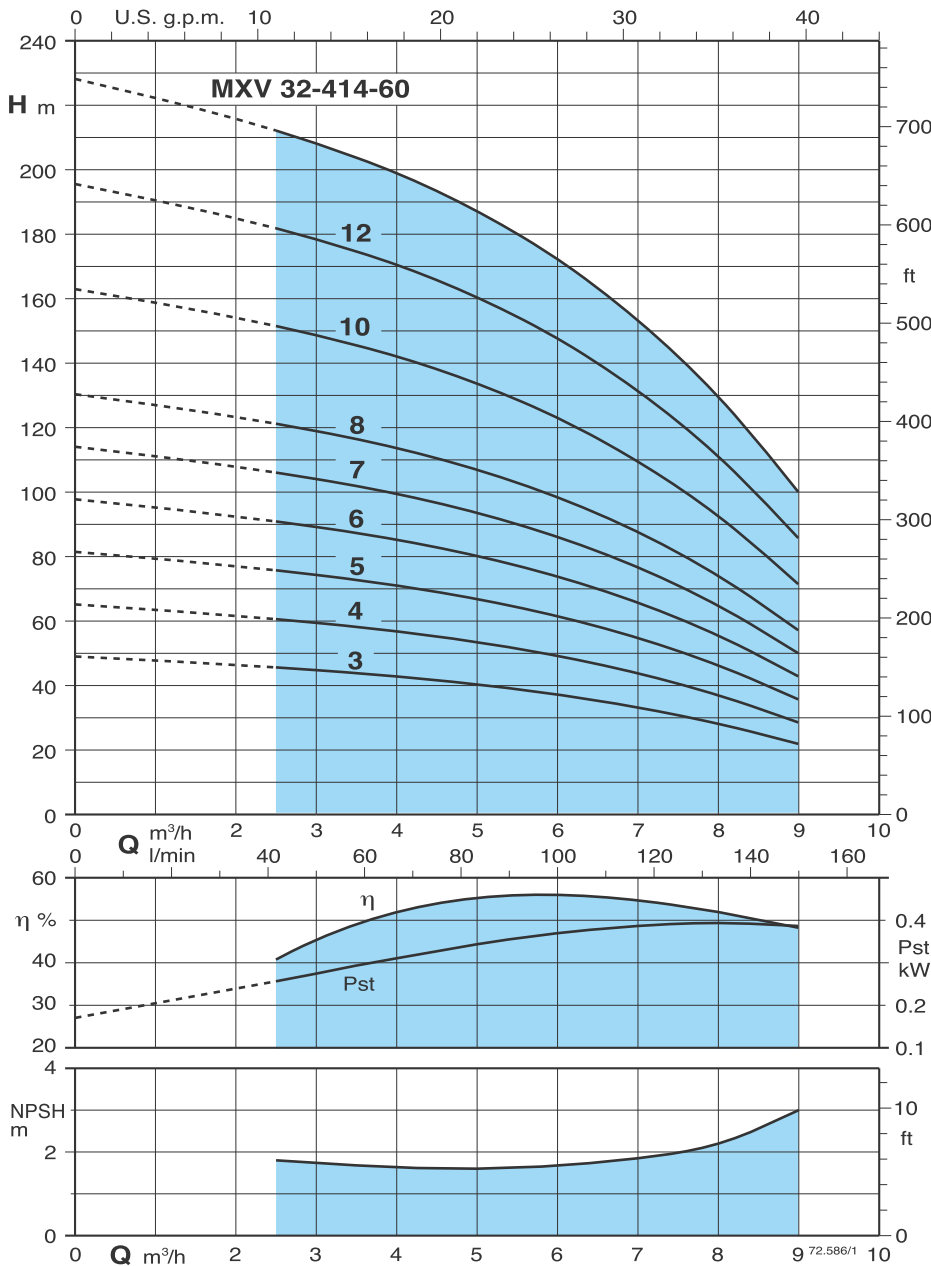
誤差值依據UNI EN ISO9906之標準。
Pst 功率為每段葉片輸出的值
P2 馬達額定輸出功率

Performance - 性能

Pump type 型號	P2		Motor 馬達	Q m³/h l/min	H m										
	kW	HP			0	1	1,5	2	2,5	3	3,5	4	4,5	5	
MXV 25-203-60/D	1,1	1,5	M80 V1	0	16,6	25	33,3	41,6	50	58,3	66,6	75	83,3		
MXV 25-204-60/D	1,1	1,5	M80 V1	49	47	45,3	43,4	41	38,6	35,7	32,4	28,7	24,5		
MXV 25-205-60/D	1,5	2	M90 V1	65	62	60,3	57,8	54,9	51,5	47,6	43,2	38,4	33		
MXV 25-206-60/D	2,2	3	M90 V1	81,5	78	75,4	72,3	68,6	64,4	59,5	54	48	41		
MXV 25-207-60/D	2,2	3	M90 V1	98	94	90,5	86,7	82,3	77,2	71,4	64,8	57,6	49		
MXV 25-208-60/C	3	4	M100 V1	114	110	105,6	101,2	96	90,1	83,3	75,5	67	57		
MXV 25-210-60/C	3	4	M100 V1	131	125	120,6	115,6	109,8	103	95,2	86,4	76,8	65		
MXV 25-212-60/D	4	5,5	M112 V1	163	156	150,8	144,5	137,2	128,7	119	108	96	82		
MXV 25-214-60/D	4	5,5	M112 V1	196	188	181	173,4	164,6	154,4	142,8	129,6	115,2	98		
				229	219	211	202	192	180	167	151	134	114		

Characteristic curves - 性能曲線

n ≈ 3450 rpm



Test results with clean cold water, without gas content.
A safety margin of + 0.5 m is recommended for the NPSH value.

Head and power values valid for liquids with density $\rho = 1,0 \text{ kg/dm}^3$ and kinematic viscosity $\nu = \text{max } 20 \text{ mm}^2/\text{sec}$.

Tolerances in accordance with UNI EN ISO 9906:2012.

Pst Power with reference to one stage.
P2 Rated motor power output.

測試結果以無氣體含量乾淨冷水所得的數據
需在NPSH值+0,5m為安全係數。

達成揚程及功率值，液體需為密度
=1,0 kg/dm 及動態黏度 = 20mm /sec最大
大值。

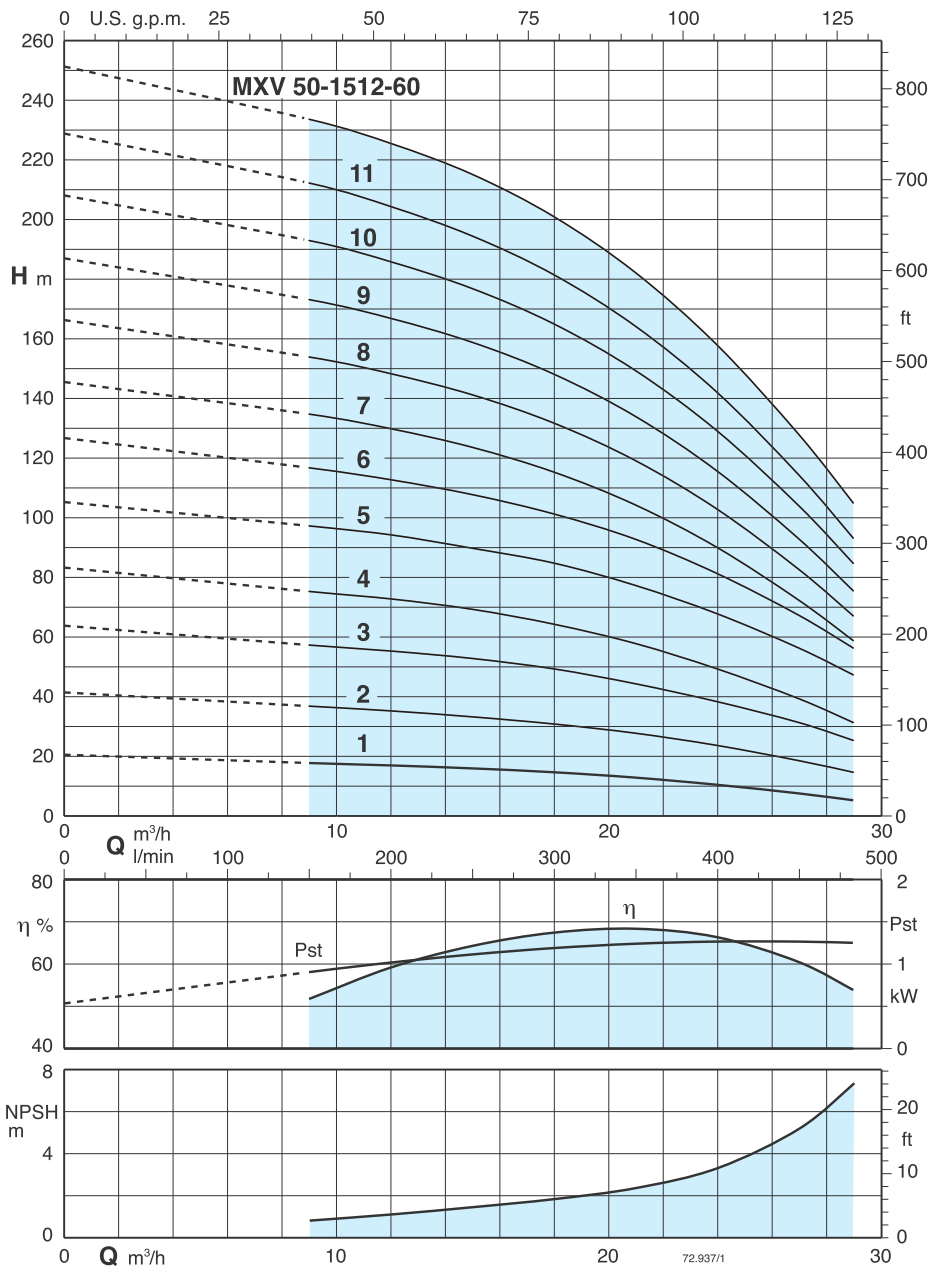
誤差值依據UNI EN ISO9906之標準。
Pst 功率為每段葉片輸出的值
P2 馬達額定輸出功率

Performance - 性能

Pump type 型號	P2		Motor 馬達	Q m³/h l/min	H m										
	kW	HP			0	2,5	3	3,5	4	5	6	7	8	9	
MXV 32-403-60/D	1,5	2,2	M90 V1	0	0	41,6	50	58,3	66,6	83,3	100	116,6	133,3	150	
MXV 32-404-60/D	2,2	3	M90 V1	0	49,2	45,6	44,6	43,6	42,6	40	37	33	27,8	21,6	
MXV 32-405-60/D	2,2	3	M90 V1	0	65	61	60	58,2	56,8	53,4	49,2	43,8	37	29	
MXV 32-406-60/C	3	4	M100 V1	0	82	76	74,3	72,7	71	66,8	61,5	54,7	46,3	36	
MXV 32-407-60/C	3	4	M100 V1	0	97	91	89,1	87,3	85,2	80,1	73,8	65,7	55,5	43	
MXV 32-408-60/D	4	5,5	M112 V1	0	114	106	104	101,8	99,4	93,5	86,1	76,6	64,8	50	
MXV 32-410-60/D	4	5,5	M112 V1	0	130	121	118,9	116,3	113,6	106,9	98,4	87,5	74,1	57	
MXV 32-412-60/C	5,5	7,5	M132 V1	0	163	151	148,6	145,4	142	133,6	123	109,4	92,6	71	
MXV 32-414-60/C	5,5	7,5	M132 V1	0	195	181	178,3	174,5	170,4	160,3	147,6	131,3	111,1	85	
				0	228	212	208	203,6	198,8	187	172,2	153,2	129,6	100	

Characteristic curves - 性能曲線

n ≈ 3450 rpm



Test results with clean cold water, without gas content.
 A safety margin of + 0.5 m is recommended for the NPSH value.

Head and power values valid for liquids with density $\rho = 1,0 \text{ kg/dm}^3$ and kinematic viscosity $\nu = \text{max } 20 \text{ mm}^2/\text{sec}$.

Tolerances in accordance with UNI EN ISO 9906:2012.

Pst Power with reference to one stage.
 P2 Rated motor power output.

測試結果以無氣體含量乾淨冷水所得的數據
 需在NPSH值+0,5m為安全係數。

達成揚程及功率值，液體需為密度
 =1,0 kg/dm 及動態黏度 = 20mm /sec最大
 值。

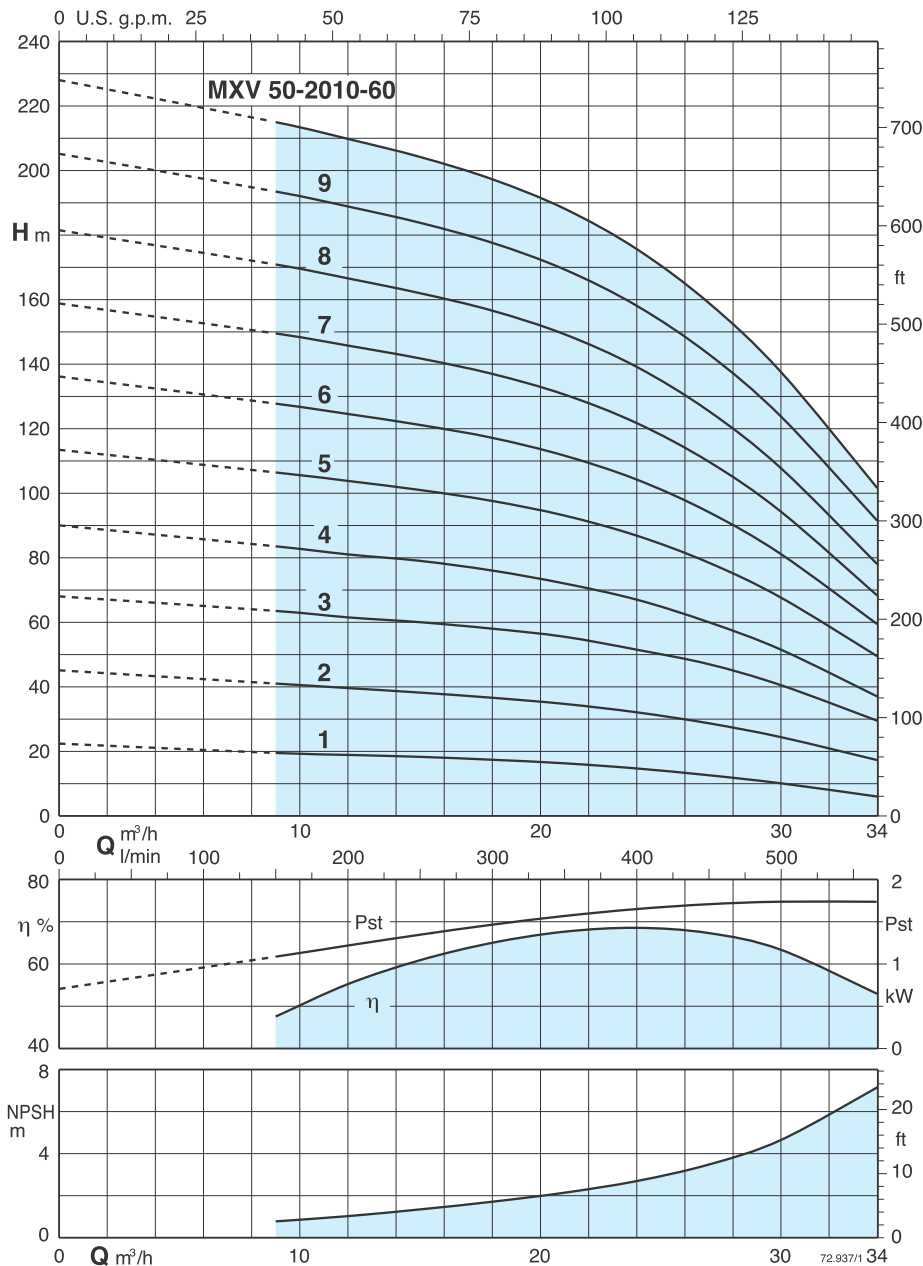
誤差值依據UNI EN ISO9906之標準。
 Pst 功率為每段葉片輸出的值
 P2 馬達額定輸出功率

Performance - 性能

Pump type 型號	P2		Motor 馬達	Q m³/h l/min	0	9	12	15	18	21	24	27	29
	kW	HP			0	150	200	250	300	350	400	450	483
MXV 50-1501-60	1,5	2	M90V1	H m	20,2	17,4	16,6	15,6	14,3	12,5	10,1	7,2	4,9
MXV 50-1502-60	3	4	M100V1		41,1	36,5	34,9	32,9	30,5	27,4	23,3	18,2	14,3
MXV 50-1503-60	4	5,5	M112V1		63,5	57,0	55,0	52,5	49,0	44,0	38,0	31,0	25,0
MXV 50-1504-60	5,5	7,5	M132V1		83,0	75,0	72,5	69,0	64,0	57,5	49,0	39,0	31,0
MXV 50-1505-60	7,5	10	M132V1		105,0	97,0	94,0	89,5	84,5	77,0	67,5	56,0	47,0
MXV 50-1506-60	7,5	10	M132V1		127	117	113	108	101	93	81	67	56
MXV 50-1507-60	9,2	12,5	M160V1		145	135	130	123	115	104	90	72	58
MXV 50-1508-60	11	15	M160V1		166	154	148	141	132	119	103	82	67
MXV 50-1509-60	15	20	M160V1		187	173	167	159	148	134	115	93	75
MXV 50-1510-60	15	20	M160V1		208	193	186	177	165	149	129	104	84
MXV 50-1511-60	15	20	M160V1		229	212	204	194	181	164	142	114	93
MXV 50-1512-60	15	20	M160V1		251	234	225	215	201	182	158	128	105

Characteristic curves - 性能曲線

n ≈ 3450 rpm



Test results with clean cold water, without gas content.
A safety margin of + 0.5 m is recommended for the NPSH value.

Head and power values valid for liquids with density $\rho = 1,0 \text{ kg/dm}^3$ and kinematic viscosity $\nu = \text{max } 20 \text{ mm}^2/\text{sec}$.

Tolerances in accordance with UNI EN ISO 9906:2012.

Pst Power with reference to one stage.
P2 Rated motor power output.

測試結果以無氣體含量乾淨冷水所得的數據
需在NPSH值+0,5m為安全係數。

達成揚程及功率值，液體需為密度
=1,0 kg/dm³及動態黏度 = 20mm²/sec最大
值。

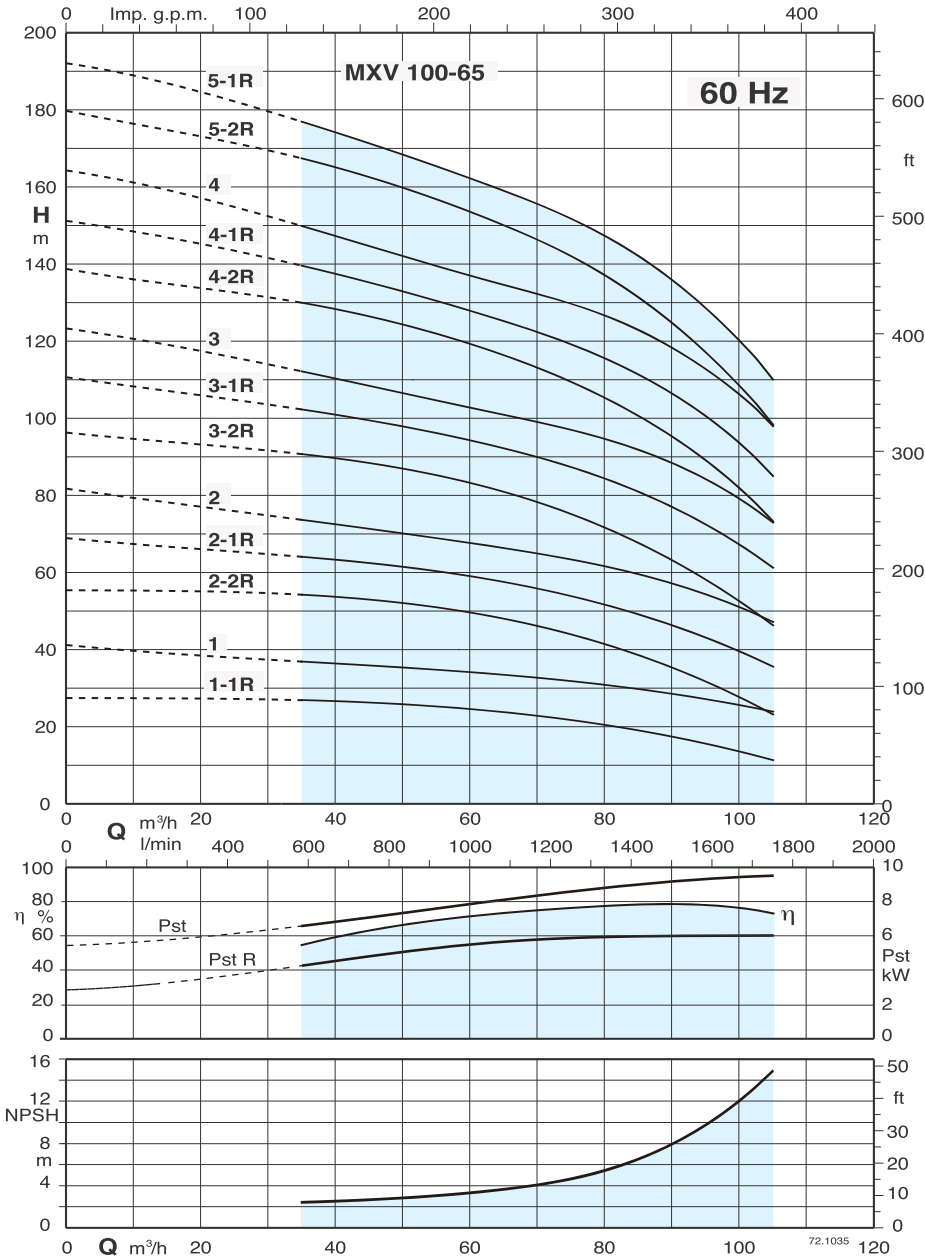
誤差值依據UNI EN ISO9906之標準。
Pst 功率為每段葉片輸出的值
P2 馬達額定輸出功率

Performance - 性能

Pump type 型號	P2		Motor 馬達	Q m³/h l/min	0	9	12	15	18	21	24	27	30	34
	kW	HP			0	150	200	250	300	350	400	450	500	566
MXV 50-2001-60	2,2	3	M90V1	H m	22,4	19,5	18,9	18,3	17,4	16,3	14,7	12,6	10,1	6,0
MXV 50-2002-60	4	5,5	M112V1		45,1	41,0	39,6	38,2	36,6	34,7	32,1	28,7	24,4	17,3
MXV 50-2003-60	5,5	7,5	M132V1		68,0	63,5	61,5	60,0	58,0	55,5	51,5	47,0	40,5	29,5
MXV 50-2004-60	7,5	10	M132V1		90,0	83,5	81,0	79,0	76,0	72,0	67,0	60,0	51,5	37,0
MXV 50-2005-60	9,2	12,5	M160V1		113	106	104	101	98	93	87	78	68	49
MXV 50-2006-60	11	15	M160V1		136	128	125	121	117	112	104	94	81	59
MXV 50-2007-60	15	20	M160V1		159	149	146	142	137	131	122	110	94	68
MXV 50-2008-60	15	20	M160V1		181	171	167	162	157	149	139	125	108	78
MXV 50-2009-60	18,5	25	M160V1		205	193	189	184	178	169	158	143	124	91
MXV 50-2010-60	18,5	25	M160V1		228	215	210	204	197	188	176	159	138	102

Characteristic curves - 性能曲線

n ≈ 3450 rpm



Test results with clean cold water, without gas content.
A safety margin of + 0.5 m is recommended for the NPSH value.

Head and power values valid for liquids with density $\rho = 1,0 \text{ kg/dm}^3$ and kinematic viscosity $\nu = \text{max } 20 \text{ mm}^2/\text{sec}$.

Tolerances in accordance with UNI EN ISO 9906:2012.

Pst Power with reference to one stage.
P2 Rated motor power output.

測試結果以無氣體含量乾淨冷水所得的數據
需在NPSH值+0,5m為安全係數。

達成揚程及功率值，液體需為密度
=1,0 kg/dm³及動態黏度 = 20mm²/sec
最大值。

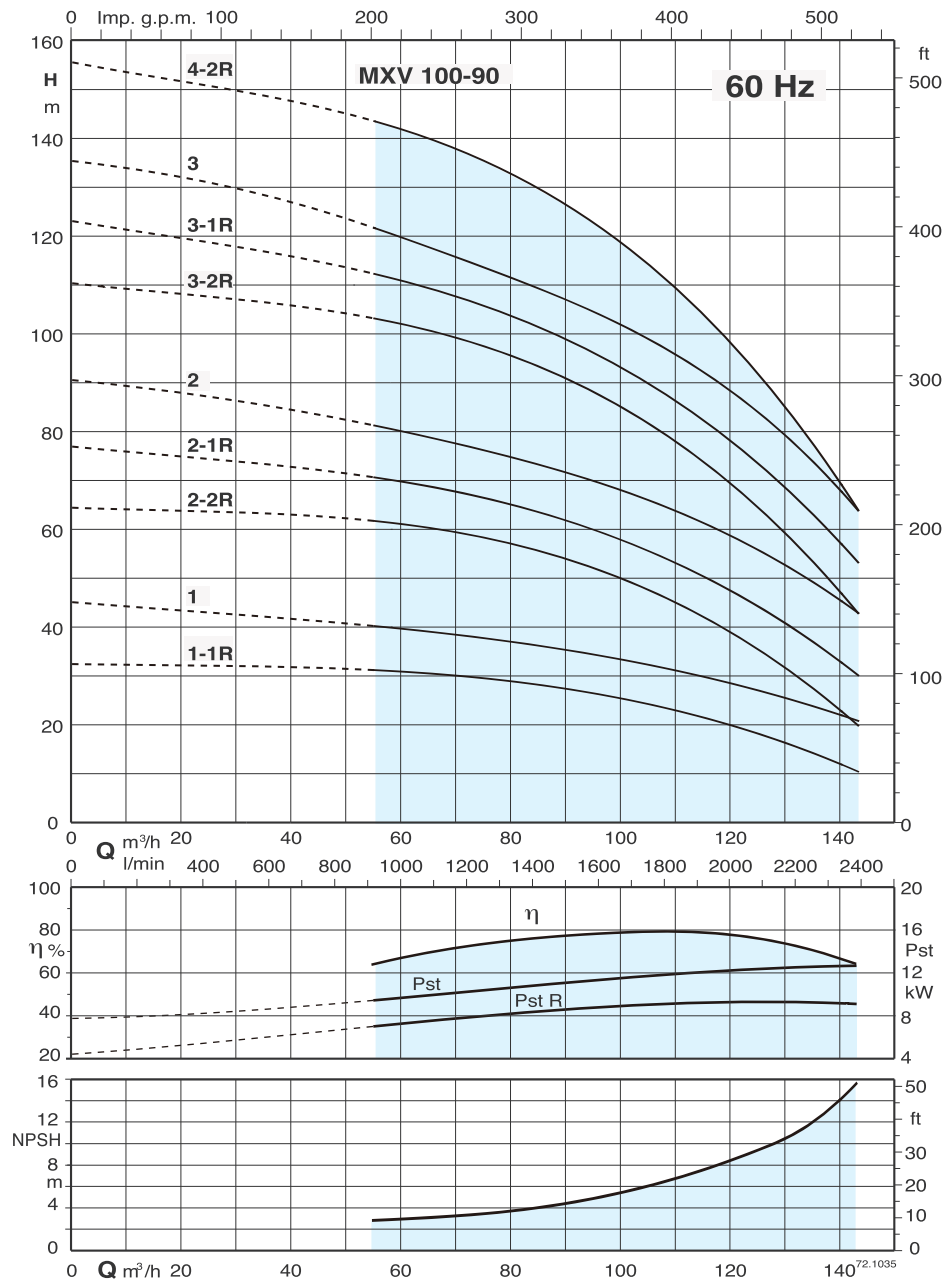
誤差值依據UNI EN ISO9906之標準。
Pst 功率為每段葉片輸出的值
P2 馬達額定輸出功率

Performance - 性能

Pump type 型號	P2		Motor 馬達	Q m ³ /h l/min	H m										
	kW	HP			0	36	43	50	54	65	72	83	93	102	
MXV 100-6501-1R-60	7,5	10	M132V1	0	28,5	27,5	27	26	25,5	24	22,5	19	16,5	16,5	
MXV 100-6501-60	11	15	M160V1	0	41	37	36	35,5	35	33,5	32,5	30	28,5	28,5	
MXV 100-6502-2R-60	15	20	M160V1	0	57	55	53,5	52,5	51,5	48,5	45,5	38	33,5	33,5	
MXV 100-6502-1R-60/A	18,5	25	M160V1	0	69	64,5	63	61,5	60,5	58	55,5	49	45	45	
MXV 100-6502-60	22	30	M180V1	0	81,5	73,5	71,5	70	69	66,5	64,5	59,5	56	56	
MXV 100-6503-2R-60	22	30	M180V1	0	97	91	89	87	85,5	81,5	77,5	67	60,5	60,5	
MXV 100-6503-1R-60	30	40	200 L2	0	111	102,5	100	98	96,5	92,5	89,5	80,5	75	75	
MXV 100-6503-60	30	40	200 L2	0	123	112	109	106,5	105	101,5	99	91,5	86	86	
MXV 100-6504-2R-60	37	50	200 L2	0	139,5	130	127	124,5	122,5	117	112,5	99,5	92	92	
MXV 100-6504-1R-60	37	50	200 L2	0	151,5	139,5	136	133	131	126	122	110,5	103	103	
MXV 100-6504-60	45	60	225 M2	0	164,5	149	145	142,5	140,5	135	132	122	115	115	
MXV 100-6505-2R-60	45	60	225 M2	0	180,5	167	163	160	157,5	151	145,5	130	120,5	120,5	
MXV 100-6505-1R-60	45	60	225 M2	0	192,5	176,5	172	168,5	166	159,5	155	141	132	132	

Characteristic curves - 性能曲線

n ≈ 3450 rpm



Test results with clean cold water, without gas content.
A safety margin of + 0.5 m is recommended for the NPSH value.

Head and power values valid for liquids with density $\rho = 1,0 \text{ kg/dm}^3$ and kinematic viscosity $\nu = \text{max } 20 \text{ mm}^2/\text{sec}$.

Tolerances in accordance with UNI EN ISO 9906:2012.

Pst Power with reference to one stage.
P2 Rated motor power output.

測試結果以無氣體含量乾淨冷水所得的數據
需在NPSH值+0,5m為安全係數。

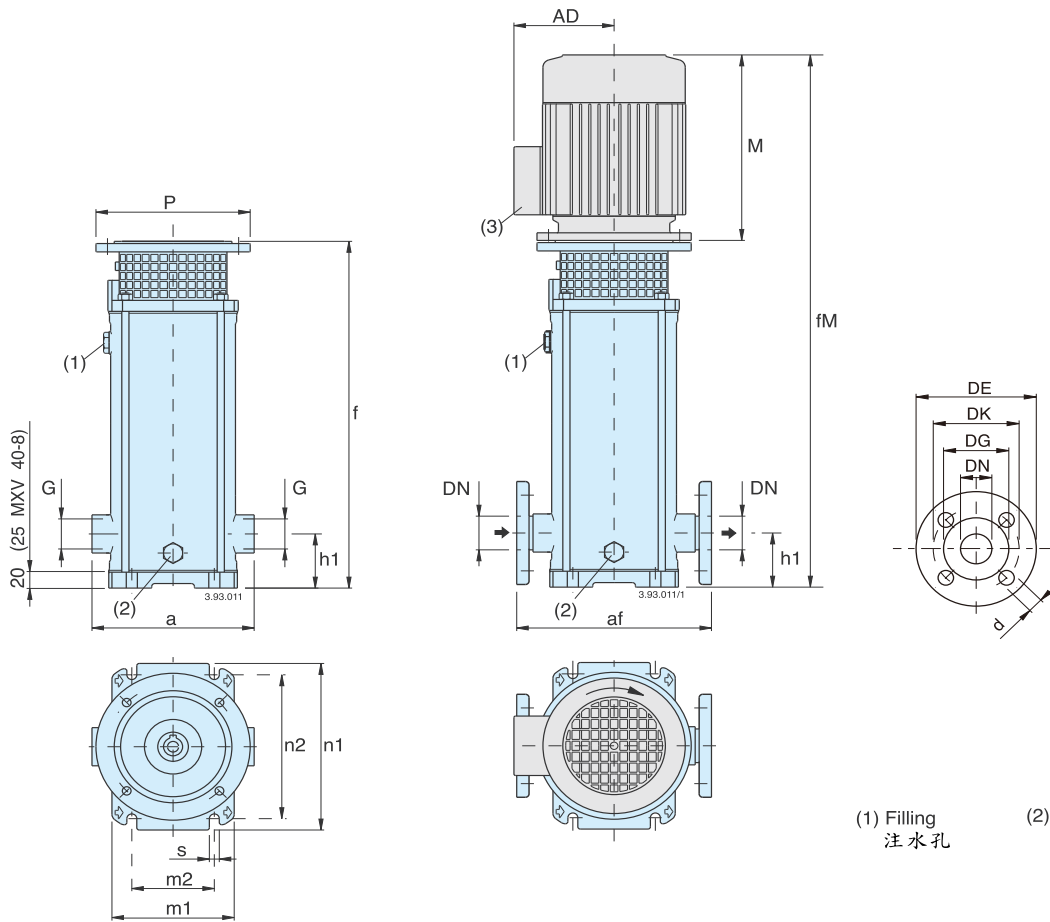
達成揚程及功率值，液體需為密度
=1,0 kg/dm³及動態黏度 = 20mm²/sec最大
值。

誤差值依據UNI EN ISO9906之標準。
Pst 功率為每段葉片輸出的值
P2 馬達額定輸出功率

Performance - 性能

Pump type 型號	P2		Motor 馬達	Q m ³ /h l/min	H m										
	kW	HP			0	54	65	72	83	93	102	115	130	141	
MXV 100-9001-1R-60	11	15	M132V1	0	0	900	1083	1200	1433	1550	1700	1917	2167	2350	
MXV 100-9001-60	15	20	M160V1	32,5	31	30,5	30	28	27	24,5	21	16	11,5		
MXV 100-9002-2R-60/A	18,5	25	M160V1	45	40,5	38,5	37,5	35,5	34,5	33	30	25,5	21,5		
MXV 100-9002-1R-60	22	30	M180V1	64,5	62	60,5	59	55,5	53	48,5	41,5	31	22		
MXV 100-9002-60	30	40	200 L2	77	71	68,5	66,5	63	60,5	57	50	40,5	32		
MXV 100-9003-2R-60	37	50	200 L2	90,5	81,5	78,5	76	72,5	70,5	67	61,5	52,5	44,5		
MXV 100-9003-1R-60	37	50	200 L2	110,5	103,5	100,5	98,5	93	89,5	83,5	73,5	58,5	45,5		
MXV 100-9003-60	45	60	225 M2	123	113	109	106	100,5	97	92	82,5	68	56		
MXV 100-9004-2R	45	60	225 M2	136	122,5	117,5	114	108,5	105,5	101	92	78,5	67		
				155,5	144,5	139,5	136	129	124	117	104	84,5	67,5		

Dimensions and weights - 尺寸及重量



Counterflanges in stainless steel
相對法蘭使用不鏽鋼材質

DN	G
25	1
32	1 1/4
40	1 1/2

Flanges
法蘭口 EN 1092-1 PN 25 - 40

DN	DE	DK	DG	Holes 孔徑	
				N.	Ø
25	115	85	65	4	14
32	140	100	76	4	19
40	150	110	84	4	19

(1) Filling
注水孔
(2) Draining
排水孔

Pump 泵浦	Motor 馬達			MXV (G) threaded ports 牙口		MXV (F) flanged 法蘭口		mm										without motor 不含 馬達 MXV (G) (4)	with motor 含馬達 (5)	
				G	af	DN	L2	h1	f	(5) M	fM	P	(5) AD	n1	n2	m1	m2	s	kg(6)	kg(6)
				ISO 228																
MXV 25-203-60/D	1,1	1,5	M80 V1	G1	215	25	250	75	372	255	627	200	127,5	210	180	150	100	12,5	19	32,3
MXV 25-204-60/D	1,1	1,5	M80 V1	G1	215	25	250	75	372	255	627	200	127,5	210	180	150	100	12,5	19	32,3
MXV 25-205-60/D	1,5	2	M90 V1	G1	215	25	250	75	406	255	661	200	127,5	210	180	150	100	12,5	21	36,2
MXV 25-206-60/D	2,2	3	M90 V1	G1	215	25	250	75	430	295	725	200	127,5	210	180	150	100	12,5	22	40,1
MXV 25-207-60/D	2,2	3	M90 V1	G1	215	25	250	75	454	295	749	200	127,5	210	180	150	100	12,5	23	41,1
MXV 25-208-60/C	3	4	M100 V1	G1	215	25	250	75	488	311	799	250	137,5	210	180	150	100	12,5	25	50,6
MXV 25-210-60/C	3	4	M100 V1	G1	215	25	250	75	536	311	847	250	137,5	210	180	150	100	12,5	26	51,6
MXV 25-212-60/D	4	5,5	M112 V1	G1	215	25	250	75	584	311	895	250	137,5	210	180	150	100	12,5	28	55,8
MXV 25-214-60/D	4	5,5	M112 V1	G1	215	25	250	75	632	311	943	250	137,5	210	180	150	100	12,5	29	56,8
MXV 32-403-60/D	1,5	2,2	M90 V1	G 1 1/4	215	32	250	75	382	255	637	200	127,5	210	180	150	100	12,5	21	36,2
MXV 32-404-60/D	2,2	3	M90 V1	G 1 1/4	215	32	250	75	382	295	677	200	127,5	210	180	150	100	12,5	21	39,1
MXV 32-405-60/D	2,2	3	M90 V1	G 1 1/4	215	32	250	75	406	295	701	200	127,5	210	180	150	100	12,5	22	40,1
MXV 32-406-60/C	3	4	M100 V1	G 1 1/4	215	32	250	75	440	311	751	250	137,5	210	180	150	100	12,5	25	50,6
MXV 32-407-60/C	3	4	M100 V1	G 1 1/4	215	32	250	75	464	311	775	250	137,5	210	180	150	100	12,5	26	51,6
MXV 32-408-60/D	4	5,5	M112 V1	G 1 1/4	215	32	250	75	488	311	799	250	137,5	210	180	150	100	12,5	27	54,8
MXV 32-410-60/D	4	5,5	M112 V1	G 1 1/4	215	32	250	75	536	311	847	250	137,5	210	180	150	100	12,5	28	55,8
MXV 32-412-60/C	5,5	7,5	M132 V1	G 1 1/4	215	32	250	75	604	339	943	300	137,5	210	180	150	100	12,5	32	74,3
MXV 32-414-60/C	5,5	7,5	M132 V1	G 1 1/4	215	32	250	75	652	339	991	300	137,5	210	180	150	100	12,5	34	76,3
MXV 40-803-60/D	2,2	3	M90 V1	G 1 1/2	225	40	280	80	421	295	716	200	127,5	246	215	190	130	14	21	39,1
MXV 40-804-60/C	3	4	M100 V1	G 1 1/2	225	40	280	80	421	311	732	250	137,5	246	215	190	130	14	22	47,6
MXV 40-805-60/D	4	5,5	M112 V1	G 1 1/2	225	40	280	80	451	311	762	250	137,5	246	215	190	130	14	23	50,8
MXV 40-806-60/D	4	5,5	M112 V1	G 1 1/2	225	40	280	80	481	311	792	250	137,5	246	215	190	130	14	25	52,8
MXV 40-807-60/C	5,5	7,5	M132 V1	G 1 1/2	225	40	280	80	531	339	870	300	159,5	246	215	190	130	14	26	68,3
MXV 40-808-60/C	5,5	7,5	M132 V1	G 1 1/2	225	40	280	80	561	339	900	300	159,5	246	215	190	130	14	28	70,3
MXV 40-810-60/C	7,5	10	M132 V1	G 1 1/2	225	40	280	80	621	339	960	300	159,5	246	215	190	130	14	29	76,7
MXV 40-811-60/C	7,5	10	M132 V1	G 1 1/2	225	40	280	80	651	339	990	300	159,5	246	215	190	130	14	35	82,7

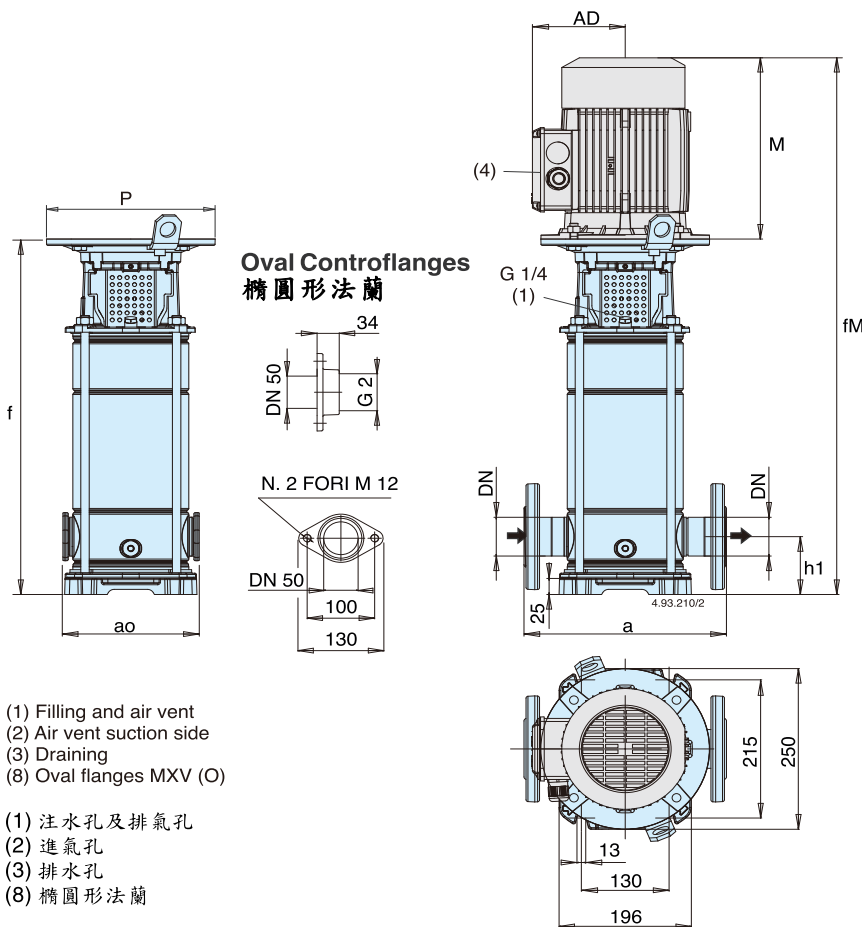
(3) Standard position of terminal box. (for other positions rotate motor through 90° or 180°)
(3) 接線盒標準位置 (若有其他位置需求, 可將馬達旋轉 90° 或 180°)

(4) MXV (F) = MXV (G) + 1kg
(4) MXV (F) = MXV (G) + 1kg

(5) With standard motor
(5) 搭配標準馬達

(6) Net weight
(6) 搭配標準馬達之淨重

Dimensions and weights - 尺寸及重量



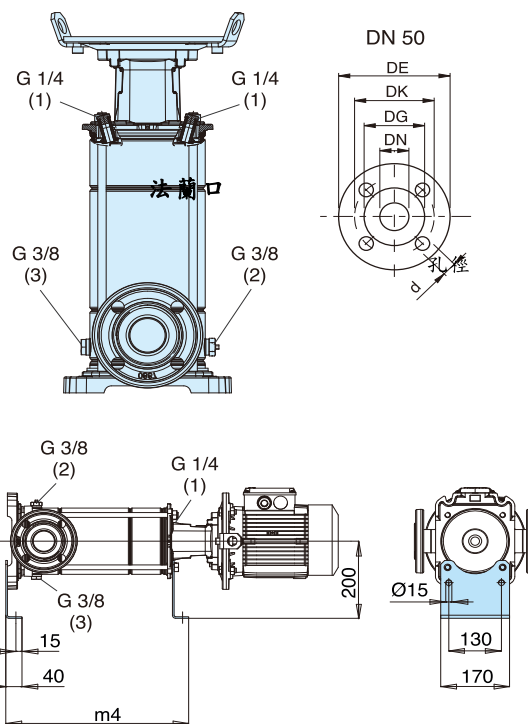
- (1) Filling and air vent
- (2) Air vent suction side
- (3) Draining
- (8) Oval flanges MXV (O)

- (1) 注水孔及排氣孔
- (2) 進氣孔
- (3) 排水孔
- (8) 橢圓形法蘭

Flanges 法蘭口

EN 1092-2 PN 25

DN	DE	DK	DG	Holes	
				N.	Ø
50	165	125	99	4	19



Pump 泵浦	Motor 馬達			mm										without motor 不含馬達 MXV (5) kg (7)		with motor 含馬達 (6) kg (7)	
	kW	HP		DN	a	(8) ao	h1	f	(6) M	fM	P	(6) AD	m4	(8)	(8)		
MXV 50-1501-60	1,5	2	M90 V1	50	300	200	90	438	295	733	200	127,5	349	27,1	24,3	42,6	39,5
MXV 50-1502-60	3	4	M100 V1	50	300	200	90	438	311	749	250	137,5	349	28,9	26,1	54,5	51,7
MXV 50-1503-60	4	5,5	M112 V1	50	300	200	90	486	311	797	250	137,5	397	30,3	27,6	58,1	55,4
MXV 50-1504-60	5,5	7,5	M132 V1	50	300	200	90	597	339	936	300	159,5	445	41,3	38,5	83,6	80,8
MXV 50-1505-60	7,5	10	M132 V1	50	300	200	90	645	339	984	300	159,5	493	42,8	40,0	90,5	87,7
MXV 50-1506-60	7,5	10	M132 V1	50	300	200	90	693	339	1032	300	159,5	541	44,3	41,5	92,0	89,2
MXV 50-1507-60	9,2	12,5	M160 V1	50	300	200	90	771	413	1184	350	186	589	52,0	49,2		
MXV 50-1508-60	11	15	M160 V1	50	300		90	819	459	1278	350	186	637	53,5		129,5	
MXV 50-1509-60	15	20	M160 V1	50	300		90	867	484	1351	350	186	685	54,9		156,9	
MXV 50-1510-60	15	20	M160 V1	50	300		90	915	484	1399	350	186	733	56,4		158,4	
MXV 50-1511-60	15	20	M160 V1	50	300		90	963	484	1447	350	186	781	57,8		159,8	
MXV 50-1512-60	15	20	M160 V1	50	300		90	1011	484	1495	350	186	829	59,3		161,3	
MXV 50-2001-60	2,2	3	M90 V1	50	300	200	90	438	295	733	200	127,5	349	27,1	24,3	45,2	42,4
MXV 50-2002-60	4	5,5	M112 V1	50	300	200	90	438	311	749	250	137,5	349	28,9	26,1	56,7	53,9
MXV 50-2003-60	5,5	7,5	M132 V1	50	300	200	90	549	339	888	300	159,5	397	39,9	37,1	82,2	79,4
MXV 50-2004-60	7,5	10	M132 V1	50	300	200	90	597	339	936	300	159,5	445	41,3	38,5	89,0	86,2
MXV 50-2005-60	9,2	12,5	M160 V1	50	300	200	90	675	413	1088	350	186	493	49,1	46,3		
MXV 50-2006-60	11	15	M160 V1	50	300	200	90	723	459	1182	350	186	541	50,6	47,8	126,6	123,8
MXV 50-2007-60	15	20	M160 V1	50	300	200	90	771	484	1255	350	186	589	52,0	49,2	154,0	151,2
MXV 50-2008-60	15	20	M160 V1	50	300		90	819	484	1303	350	186	637	53,5		155,5	
MXV 50-2009-60	18,5	25	M160 V1	50	300		90	867	538	1405	350	206	685	54,9		-	-
MXV 50-2010-60	18,5	25	M160 V1	50	300		90	915	538	1453	350	206	733	56,4		-	-

(4) Standard position of terminal box. (for other positions rotate motor through 90° or 180°)

(4) 接線盒標準位置(若有其他位置需求,可將馬達旋轉90°或180°)

(5) MXV (L) : + 3 kg

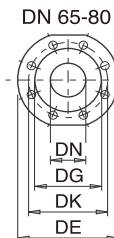
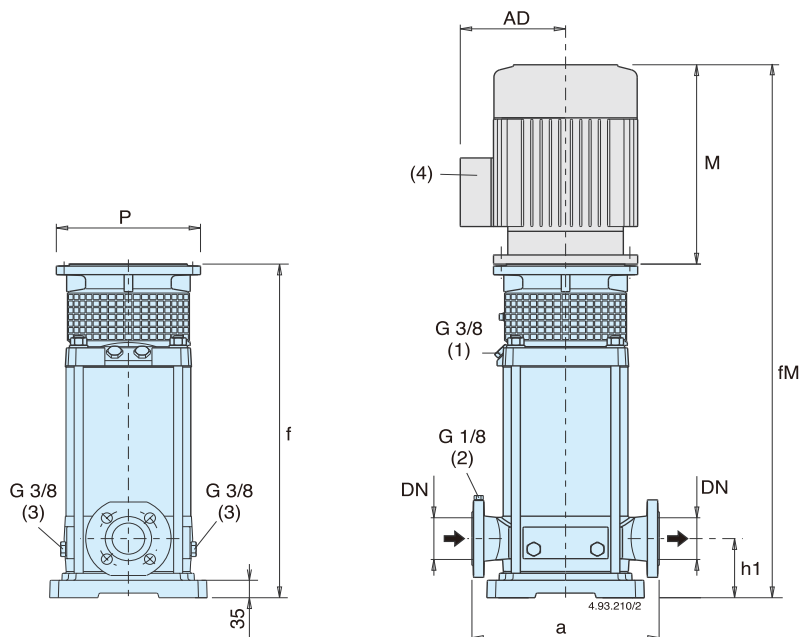
(6) With standard motor

(6) 搭配標準馬達

(7) Net weight

(7) 搭配標準馬達之淨重

Dimensions and weights - 尺寸及重量

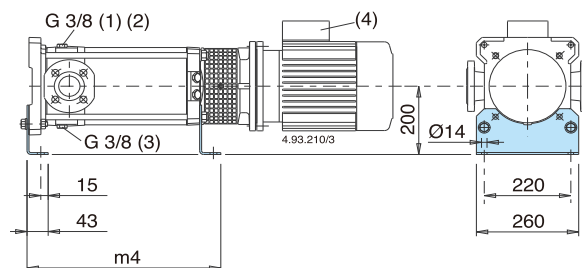
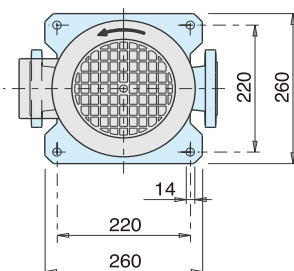


Flanges 法蘭口 EN 1092-2 PN 25 - 40

DN	DE	DK	DG	Holes Agujeros	
				N.	Ø
65	185	145	118	8	19
80	200	160	132	8	19

- (1) Filling and air vent
- (2) Air vent suction side
- (3) Draining

- (1) 注水孔及排氣孔
- (2) 進氣孔
- (3) 排水孔



Pump 泵浦	Motor 馬達		mm										without motor 不含馬達 MXV (5) kg (7)	with motor 含馬達 (6) kg (7)
	kW	HP	DN	a	h1	f	(6) M	fM	P	(6) AD	m4			
MXV 65-3202-60/C	7,5	10	M132 V1	65	320	105	427	339	766	300	159,5	334	49	96,7
MXV 65-3203-60/D	11	15	M160 V1	65	320	105	473	459	932	350	186	380	58	134
MXV 65-3204-60/D	15	20	M160 V1	65	320	105	549	484	1033	350	186	426	59	161
MXV 65-3205-60/E	18,5	25	M160 V1	65	320	105	595	538	1133	350	206	472	61	-
MXV 65-3206-60/D	22	30	M180 V1	65	320	105	641	538	1179	350	206	518	62	191,3
MXV 65-3207-60/D	22	30	M180 V1	65	320	105	687	538	1225	350	206	564	64	193,3
MXV 80-4801-60/C	5,5	7,5	M132 V1	80	320	105	431	339	770	300	159,5	338	49	91,3
MXV 80-4802-60/D	11	15	M160 V1	80	320	105	496	459	955	350	186	373	59	135
MXV 80-4803-60/D	15	20	M160 V1	80	320	105	557	484	1041	350	186	434	61	163
MXV 80-4804-60/E	18,5	25	M160 V1	80	320	105	618	538	1156	350	206	495	64	-
MXV 80-4805-60/D	22	30	M180 V1	80	320	105	680	538	1218	350	206	557	66	195,3

(4) Standard position of terminal box. (for other positions rotate motor through 90° or 180°)

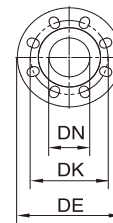
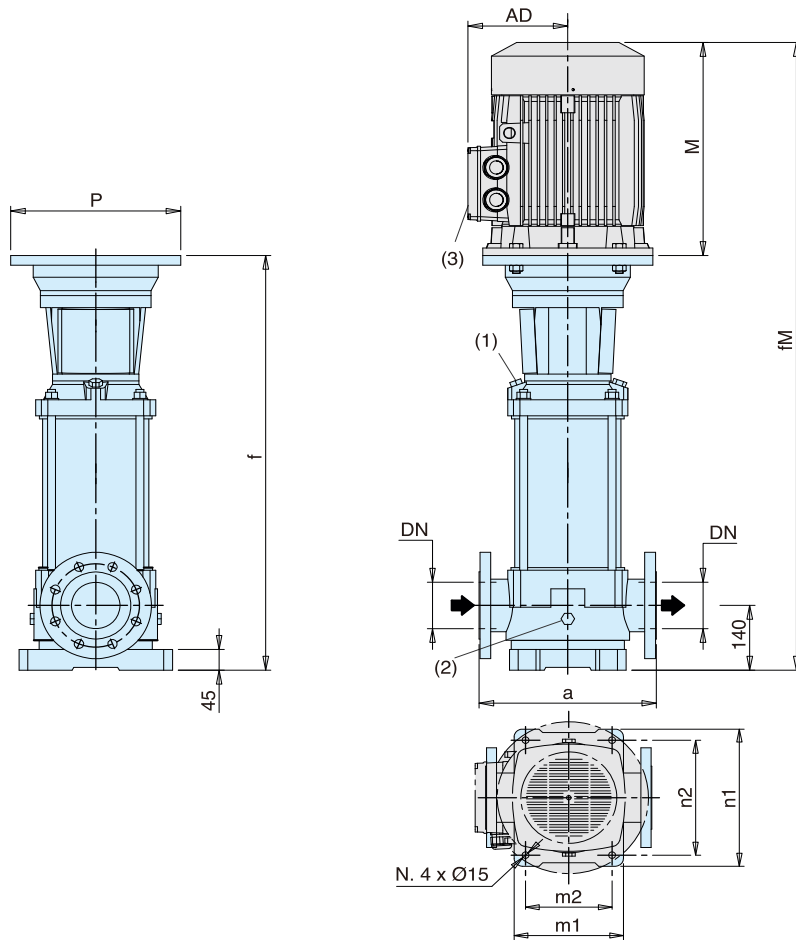
(4) 接線盒標準位置(若有其他位置需求, 可將馬達旋轉90°或180°)

(5) MXV (L) : + 3 kg
MXV (H) : + 3 kg

(6) With standard motor
(6) 搭配標準馬達

(7) Net weight
(7) 搭配標準馬達之淨重

Dimensions and weights - 尺寸及重量



Flanges
法蘭口

EN 1092-2

DN	PN	DE	DK	Holes Agujeros	
				N.	Ø
100	16	230	180	8	19
100	25	225	190	8	23

- (1) Filling and air vent
(2) Draining
- (1) 注水孔及排氣孔
(2) 排水孔

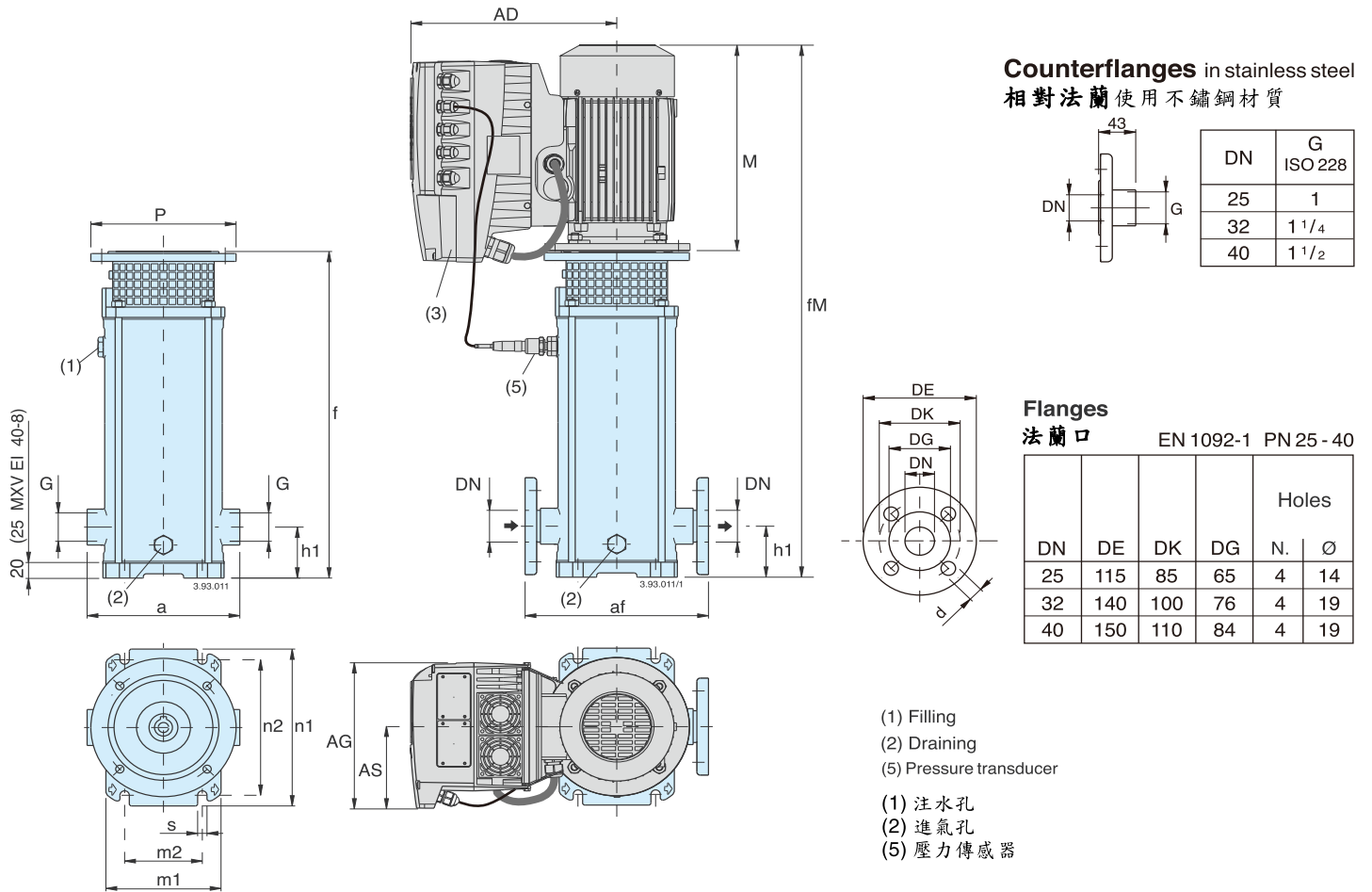
Pump 泵浦	Motor 馬達			mm											without motor 不含馬達	with motor 含馬達 (4)
	kW	HP	PN	a	f	n1	n2	m1	m2	(4) M	fm	P	AD	kg (5)	kg (5)	
MXV(L) 100-6501-1R-60	7,5	10	M132V1	16	365	737	316	265	240	190	339	1076	300	159,5	81	117
MXV(L) 100-6501-60	11	15	M160V1	16	365	757	316	265	240	190	459	1216	350	186	84	142
MXV(L) 100-6502-2R-60	15	20	M160V1	16	365	849	316	265	240	190	484	1333	350	186	88,5	152,5
MXV(L) 100-6502-1R-60/A	18,5	25	M160V1	16	365	849	316	265	240	190	538	1387	350	206	88,5	-
MXV(L) 100-6502-60	22	30	M180V1	16	365	849	316	265	240	190	538	1387	350	206	89	198
MXV(L) 100-6503-2R-60	22	30	M180V1	16	365	941	316	265	240	190	538	1479	350	206	93,5	202,5
MXV(L) 100-6503-1R-60	30	40	200 L2	16	365	946	316	265	240	190	721	1667	400	315	96,5	324,5
MXV(L) 100-6503-60	30	40	200 L2	16	365	946	316	265	240	190	721	1667	400	315	96,5	324,5
MXV(L) 100-6504-2R-60	37	50	200 L2	16	365	1038	316	265	240	190	721	1759	400	315	101	343
MXV(L) 100-6504-1R-60	37	50	200 L2	16	365	1038	316	265	240	190	721	1759	400	315	101	343
MXV(L) 100-6504-60	45	60	225 M2	16	365	1038	316	265	240	190	818	1856	450	338	104	412
MXV(L) 100-6505-2R-60	45	60	225 M2	25	365	1130	316	265	240	190	818	1948	450	338	108,5	416,5
MXV(L) 100-6505-1R-60	45	60	225 M2	25	365	1130	316	265	240	190	818	1948	450	338	108,5	416,5
MXV(L) 100-9001-1R-60	11	15	M132V1	16	380	737	341	280	260	199	459	1196	300	159,5	82,5	140,5
MXV(L) 100-9001-60	15	20	M160V1	16	380	757	341	280	260	199	484	1241	350	186	85,5	149,5
MXV(L) 100-9002-2R-60/A	18,5	25	M160V1	16	380	849	341	280	260	199	538	1387	350	206	89	-
MXV(L) 100-9002-1R-60	22	30	M180V1	16	380	849	341	280	260	199	538	1387	350	206	89,5	198,5
MXV(L) 100-9002-60	30	40	200 L2	16	380	854	341	280	260	199	721	1575	400	315	92,5	320,5
MXV(L) 100-9003-2R-60	37	50	200 L2	16	380	946	341	280	260	199	721	1667	400	315	96,5	338,5
MXV(L) 100-9003-1R-60	37	50	200 L2	16	380	946	341	280	260	199	721	1667	400	315	96,5	338,5
MXV(L) 100-9003-60	45	60	225 M2	16	380	946	341	280	260	199	818	1764	450	338	99,5	407,5
MXV(L) 100-9004-2R	45	60	225 M2	16	380	1038	341	280	260	199	818	1856	450	338	103	411

(3) Standard position of terminal box. (for other positions rotate motor through 90° or 180°)
(3) 接線盒標準位置(若有其他位置需求, 可將馬達旋轉90°或180°)

(4) With standard motor
(4) 搭配標準馬達

(5) Net weight
(5) 搭配標準馬達之淨重

Dimensions and weights - 尺寸及重量

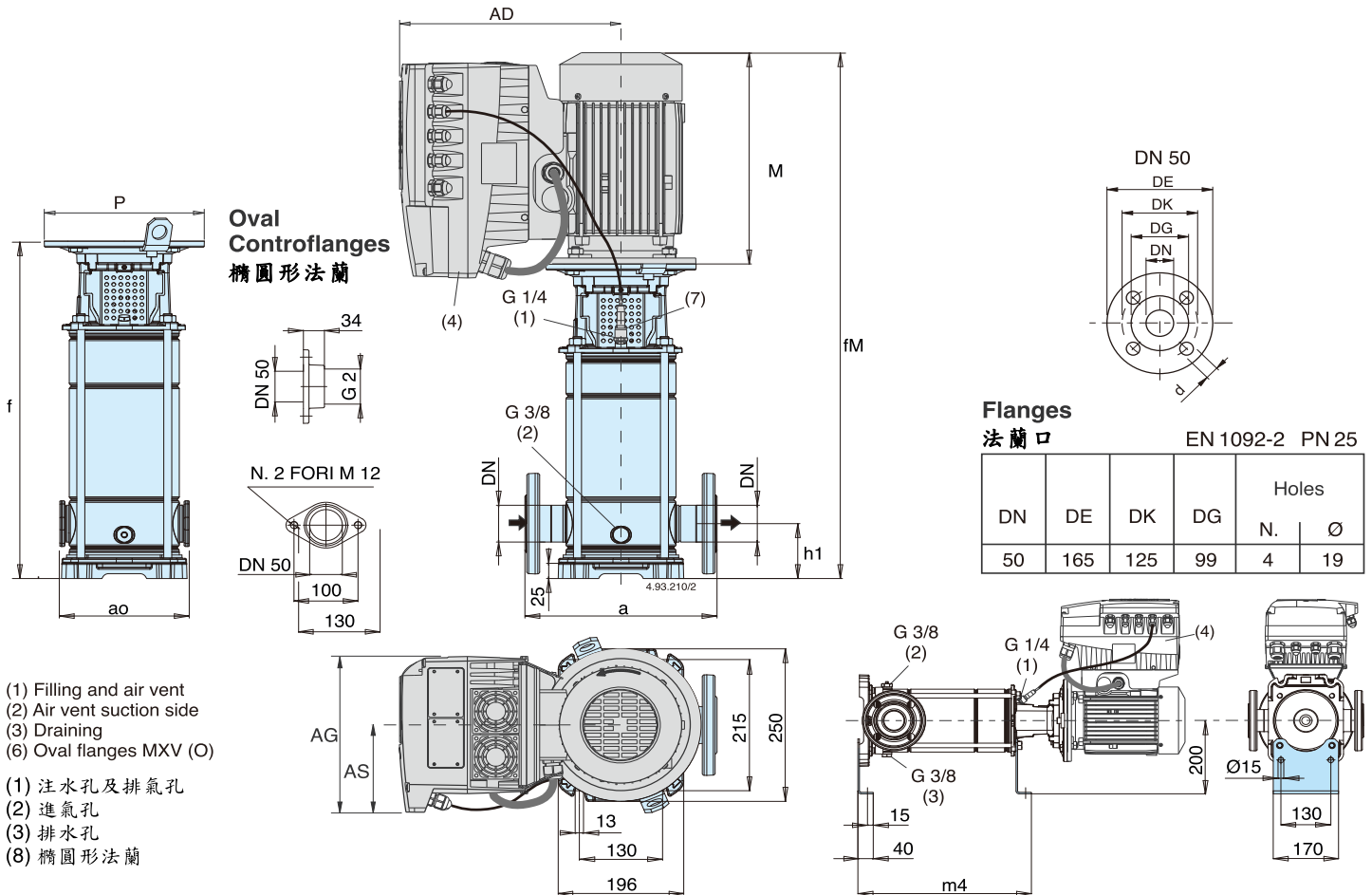


Pump 泵浦	Motor 馬達		MXV EI (G) threaded ports 牙口		MXV EI (F) flanged ports 法蘭口		mm													MXV EI (G) (4) kg	
	kW	HP	G ISO 228	af	DN	L2	h1	f	M	fM	P	AD	AG	AS	n1	n2	m1	m2	s		
MXV EI 25-203-60/D	1,1	1,5	M80 V1	G1	215	25	250	75	372	255	627	200	286	190	105	210	180	150	100	12,5	38,1
MXV EI 25-204-60/D	1,1	1,5	M80 V1	G1	215	25	250	75	372	255	627	200	286	190	105	210	180	150	100	12,5	38,1
MXV EI 25-205-60/D	1,5	2	M90 V1	G1	215	25	250	75	406	255	661	200	286	190	105	210	180	150	100	12,5	42
MXV EI 25-206-60/D	2,2	3	M90 V1	G1	215	25	250	75	430	295	725	200	286	210	118	210	180	150	100	12,5	46,8
MXV EI 25-207-60/D	2,2	3	M90 V1	G1	215	25	250	75	454	295	749	200	286	210	118	210	180	150	100	12,5	47,8
MXV EI 25-208-60/C	3	4	M100 V1	G1	215	25	250	75	488	311	799	250	294	210	118	210	180	150	100	12,5	57,3
MXV EI 25-210-60/C	3	4	M100 V1	G1	215	25	250	75	536	311	847	250	294	210	118	210	180	150	100	12,5	58,3
MXV EI 25-212-60/D	4	5,5	M112 V1	G1	215	25	250	75	584	311	895	250	294	210	118	210	180	150	100	12,5	62,5
MXV EI 25-214-60/D	4	5,5	M112 V1	G1	215	25	250	75	632	311	943	250	294	210	118	210	180	150	100	12,5	63,5
MXV EI 32-403-60/D	1,5	2,2	M90 V1	G1 1/4	215	32	250	75	382	255	637	200	286	190	105	210	180	150	100	12,5	42
MXV EI 32-404-60/D	2,2	3	M90 V1	G1 1/4	215	32	250	75	382	295	677	200	286	210	118	210	180	150	100	12,5	45,8
MXV EI 32-405-60/D	2,2	3	M90 V1	G1 1/4	215	32	250	75	406	295	701	200	286	210	118	210	180	150	100	12,5	46,8
MXV EI 32-406-60/C	3	4	M100 V1	G1 1/4	215	32	250	75	440	311	751	250	294	210	118	210	180	150	100	12,5	57,3
MXV EI 32-407-60/C	3	4	M100 V1	G1 1/4	215	32	250	75	464	311	775	250	294	210	118	210	180	150	100	12,5	58,3
MXV EI 32-408-60/D	4	5,5	M112 V1	G1 1/4	215	32	250	75	488	311	799	250	294	210	118	210	180	150	100	12,5	61,5
MXV EI 32-410-60/D	4	5,5	M112 V1	G1 1/4	215	32	250	75	536	311	847	250	294	210	118	210	180	150	100	12,5	62,5
MXV EI 32-412-60/C	5,5	7,5	M132 V1	G1 1/4	215	32	250	75	604	339	943	300	321	210	118	210	180	150	100	12,5	87,8
MXV EI 32-414-60/C	5,5	7,5	M132 V1	G1 1/4	215	32	250	75	652	339	991	300	321	210	118	210	180	150	100	12,5	89,8
MXV EI 40-803-60/D	2,2	3	M90 V1	G1 1/2	225	40	280	80	421	295	716	200	286	210	118	246	215	190	130	14	45,8
MXV EI 40-804-60/C	3	4	M100 V1	G1 1/2	225	40	280	80	421	311	732	250	286	210	118	246	215	190	130	14	54,3
MXV EI 40-805-60/D	4	5,5	M112 V1	G1 1/2	225	40	280	80	451	311	762	250	294	210	118	246	215	190	130	14	57,5
MXV EI 40-806-60/D	4	5,5	M112 V1	G1 1/2	225	40	280	80	481	311	792	250	294	210	118	246	215	190	130	14	59,5
MXV EI 40-807-60/C	5,5	7,5	M132 V1	G1 1/2	225	40	280	80	531	339	870	300	321	210	118	246	215	190	130	14	81,8
MXV EI 40-808-60/C	5,5	7,5	M132 V1	G1 1/2	225	40	280	80	561	339	900	300	321	210	118	246	215	190	130	14	83,8
MXV EI 40-810-60/C	7,5	10	M132 V1	G1 1/2	225	40	280	80	621	339	960	300	368	281	153	246	215	190	130	14	90,2
MXV EI 40-811-60/C	7,5	10	M132 V1	G1 1/2	225	40	280	80	651	339	990	300	368	281	153	246	215	190	130	144	96,2

(3) Standard position of I-MAT (for other positions rotate motor through 90° or 180°)
(3) I-MAT標準位置(若有其他位置需求,可將馬達旋轉90°或180°)

(6) Net weight
(6) 搭配標準馬達之淨重

Dimensions and weights - 尺寸及重量



Pump 泵浦	Motor 馬達			mm												MXV EI	
	kW	HP		DN	a	(8) ao	h1	f	M	fM	P	AD	AG	AS	m4	kg (5)	(6)
MXV EI 50-1501-60	1,5	2	M90 V1	50	300	200	90	438	295	733	200	286	190	105	349	49,2	46,1
MXV EI 50-1502-60	3	4	M100 V1	50	300	200	90	438	311	749	250	294	210	118	349	62,0	59,2
MXV EI 50-1503-60	4	5,5	M112 V1	50	300	200	90	486	311	797	250	294	210	118	397	66,1	63,4
MXV EI 50-1504-60	5,5	7,5	M132 V1	50	300	200	90	597	339	936	300	321	210	118	445	91,6	88,8
MXV EI 50-1505-60	7,5	10	M132 V1	50	300	200	90	645	339	984	300	368	281	153	493	105,3	102,5
MXV EI 50-1506-60	7,5	10	M132 V1	50	300	200	90	693	339	1032	300	368	281	153	541	106,8	104,0
MXV EI 50-1507-60	9,2	12,5	M160 V1	50	300	200	90	771	413	1184	350	393	281	153	589		
MXV EI 50-1508-60	11	15	M160 V1	50	300		90	819	459	1278	350	393	281	153	637	144,3	
MXV EI 50-1509-60	15	20	M160 V1	50	300		90	867	484	1351	350	471	350	190	685	191,9	
MXV EI 50-1510-60	15	20	M160 V1	50	300		90	915	484	1399	350	471	350	190	733	193,4	
MXV EI 50-1511-60	15	20	M160 V1	50	300		90	963	484	1447	350	471	350	190	781	194,8	
MXV EI 50-1512-60	15	20	M160 V1	50	300		90	1011	484	1495	350	471	350	190	829	196,3	
MXV EI 50-2001-60	2,2	3	M90 V1	50	300	200	90	438	295	733	200	286	210	118	349	52,2	49,4
MXV EI 50-2002-60	4	5,5	M112 V1	50	300	200	90	438	311	749	250	294	210	118	349	64,7	61,9
MXV EI 50-2003-60	5,5	7,5	M132 V1	50	300	200	90	549	339	888	300	321	210	118	397	90,2	87,4
MXV EI 50-2004-60	7,5	10	M132 V1	50	300	200	90	597	339	936	300	368	281	153	445	103,8	101,0
MXV EI 50-2005-60	9,2	12,5	M160 V1	50	300	200	90	675	413	1088	350	393	281	153	493		
MXV EI 50-2006-60	11	15	M160 V1	50	300	200	90	723	459	1182	350	393	281	153	541	141,4	138,6
MXV EI 50-2007-60	15	20	M160 V1	50	300	200	90	771	484	1255	350	471	350	190	589	189,0	186,2
MXV EI 50-2008-60	15	20	M160 V1	50	300		90	819	484	1303	350	471	350	190	637	190,5	
MXV EI 50-2009-60	18,5	25	M160 V1	50	300		90	867	538	1405	350	491	350	190	685	-	-
MXV EI 50-2010-60	18,5	25	M160 V1	50	300		90	915	538	1453	350	491	350	190	733	-	-

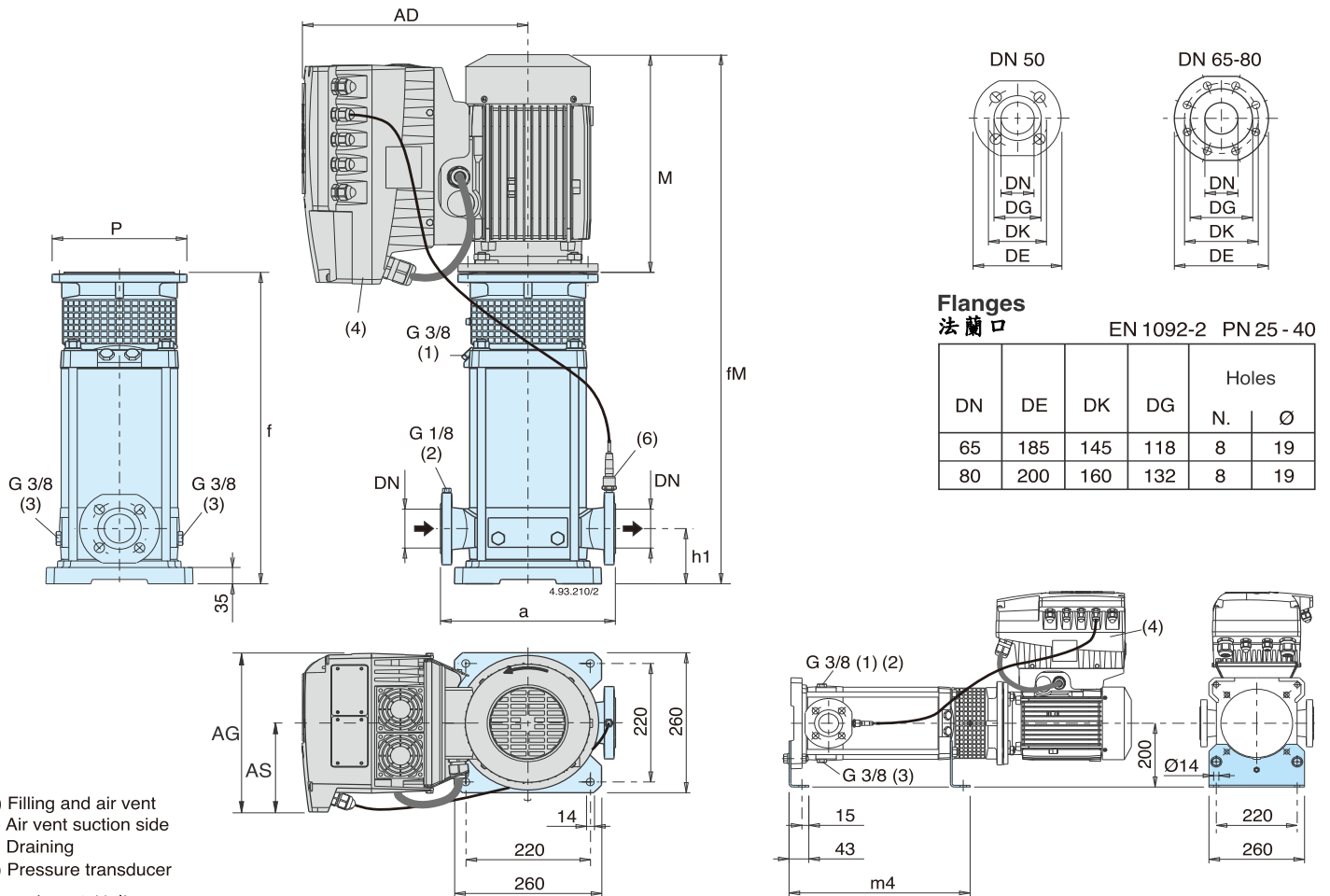
(4) Standard position of I-MAT (for other positions rotate motor through 90° or 180°)

(4) I-MAT標準位置(若有其他位置需求, 可將馬達旋轉90°或180°)

(5) Net weight

(5) 搭配標準馬達之淨重

Dimensions and weights - 尺寸及重量



- (1) Filling and air vent
- (2) Air vent suction side
- (3) Draining
- (6) Pressure transducer
- (1) 注水孔及排氣孔
- (2) 進氣孔
- (3) 排水孔
- (8) 橢圓形法蘭

Pump 泵浦	Motor 馬達		mm											MXV EI kg (5)	
	kW	HP	DN	a	h1	f	M	fM	P	AD	AG	AS	m4		
MXV EI 65-3202-60/C	7,5	10	M132 V1	65	320	105	427	339	766	300	368	281	153	334	110,2
MXV EI 65-3203-60/D	11	15	M160 V1	65	320	105	473	459	932	350	393	281	153	380	147,5
MXV EI 65-3204-60/D	15	20	M160 V1	65	320	105	549	484	1033	350	471	350	190	426	194
MXV EI 65-3205-60/E	18,5	25	M160 V1	65	320	105	595	538	1133	350	491	350	190	472	-
MXV EI 65-3206-60/D	22	30	M180 V1	65	320	105	641	538	1179	350	491	350	190	518	224,3
MXV EI 65-3207-60/D	22	30	M180 V1	65	320	105	687	538	1225	350	491	350	190	564	226,3
MXV EI 80-4801-60/C	5,5	7,5	M132 V1	80	320	105	431	339	770	300	321	210	118	338	98
MXV EI 80-4802-60/D	11	15	M160 V1	80	320	105	496	459	955	350	393	281	153	373	148,5
MXV EI 80-4803-60/D	15	20	M160 V1	80	320	105	557	484	1041	350	471	350	190	434	196
MXV EI 80-4804-60/E	18,5	25	M160 V1	80	320	105	618	538	1156	350	491	350	190	495	-
MXV EI 80-4805-60/D	22	30	M180 V1	80	320	105	680	538	1218	350	491	350	190	557	228,3

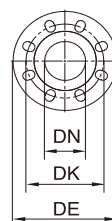
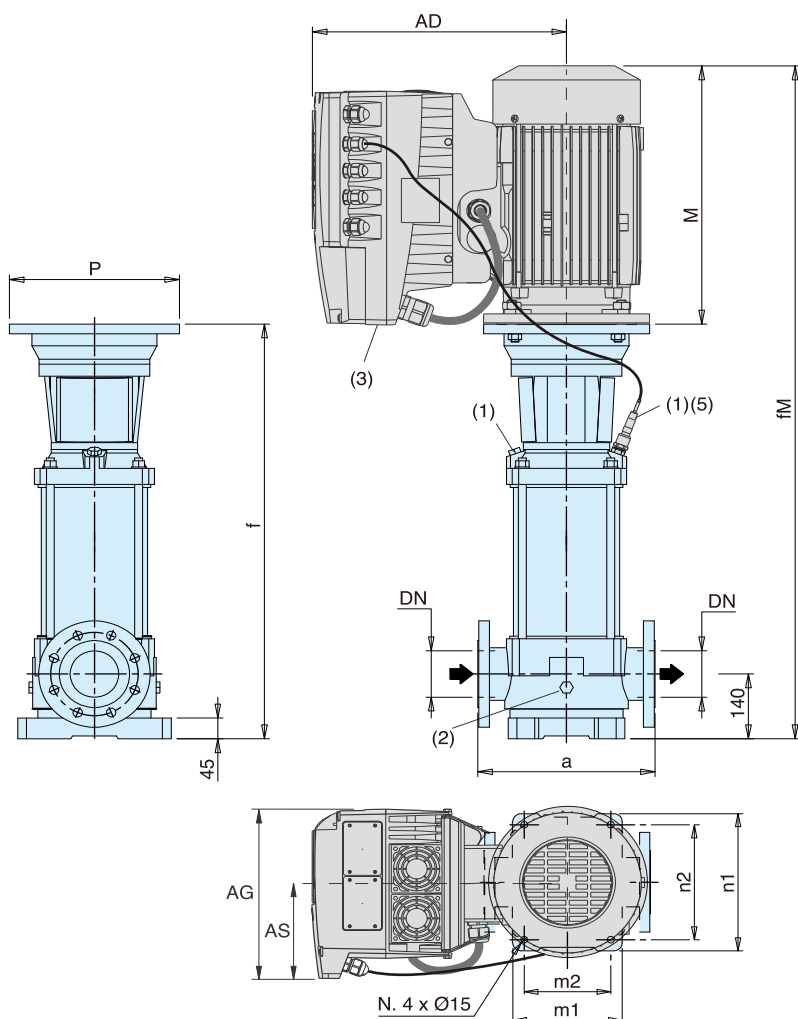
(4) Standard position of I-MAT (for other positions rotate motor through 90° or 180°)

(4) I-MAT標準位置(若有其他位置需求,可將馬達旋轉90°或180°)

(5) Net weight

(5) 搭配標準馬達之淨重

Dimensions and weights - 尺寸及重量



**Flanges
法蘭口**

EN 1092-2

DN	PN	DE	DK	Holes Agujeros	
				N.	Ø
100	16	230	180	8	19
100	25	225	190	8	23

(1) Filling and air vent
(2) Draining

(1) 注水孔及排氣孔
(2) 排水孔

Pump 泵浦	Motor 馬達			mm													MXV EI kg (4)
	kW	HP	PN	a	f	n1	n2	m1	m	2	(6) M	fm	P	AD	AG	AS	
MXV EI 100-6501-1R-60	7,5	10	M132V1	16	365	737	316	265	240	190	339	1076	300	368	281	153	130,5
MXV EI 100-6501-60	11	15	M160V1	16	365	757	316	265	240	190	459	1216	350	393	281	153	155,5
MXV EI 100-6502-2R-60	15	20	M160V1	16	365	849	316	265	240	190	484	1333	350	471	350	190	185,5
MXV EI 100-6502-1R-60/A	18,5	25	M160V1	16	365	849	316	265	240	190	538	1387	350	491	350	190	-
MXV EI 100-6502-60	22	30	M180V1	16	365	849	316	265	240	190	538	1387	350	491	350	190	231
MXV EI 100-6503-2R-60	22	30	M180V1	16	365	941	316	265	240	190	538	1479	350	491	350	190	235,5
MXV EI 100-9001-1R-60	11	15	M132V1	16	380	737	341	280	260	199	459	1196	300	393	281	153	154
MXV EI 100-9001-60	15	20	M160V1	16	380	757	341	280	260	199	484	1241	350	471	350	190	182,5
MXV EI 100-9002-2R-60/A	18,5	25	M160V1	16	380	849	341	280	260	199	538	1387	350	491	350	190	-
MXV EI 100-9002-1R-60	22	30	M180V1	16	380	849	341	280	260	199	538	1387	350	491	350	190	231,5

(3) Standard position of I-MAT. (for other positions rotate motor through 90° or 180°)

(3) I-MAT 標準位置 (若有其他位置需求, 可將馬達旋轉 90° 或 180°)

(4) Net weight

(4) 搭配標準馬達之淨重

Rated currents - 額定電流

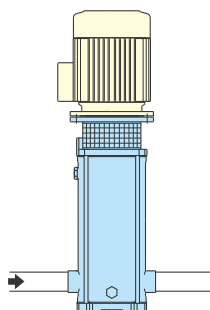
P2		three-phase - 三相 3~			IA/IN
kW	HP	220/380V IN A	380/660V IN A	220/440V IN A	
1,1	1,5	5,7/3,3	-	6,0/3,5	5,4
1,5	2	9/5,2	-	9,4/5,5	6,1
2,2	3	11,1/6,4	-	11,6/6,7	8,4
3	4	13,4/7,7	-	14,0/8,1	8,4
4	5,5		11,2/6,5		9,2
5,5	7,5		13,7/7,9		8,7
7,5	10		17/9,8		9,2
9,2	12,5		22/12,7		8,3
11	15		25,8/14,9		8,9
15	18,5		33,2/19,2		9,4
18,5	25		41,2/23,8		9,4
22	30		48,9/28,3		9,6
30	40		65,4/37,8		8,7
37	50		82/47		8,5
45	60		97/56		8

P2 Rated motor power output.
馬達額定輸出功率

IA/IN D.O.L. starting current / Rated current
啟動電流 / 額定電流

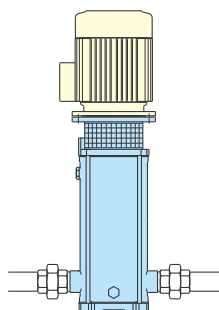
Installations - 安裝

Pipe connection 配管



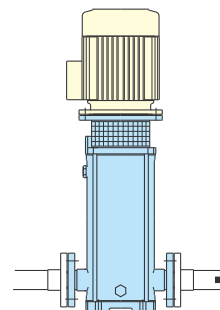
Pump with threaded ports:
pipes screwed into the ports

牙口：
水管鎖入牙口內。



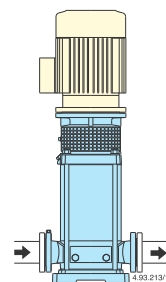
Pump with threaded ports:
pipes with union couplings (locally available)

牙口：
水管以任由接頭連接泵浦。

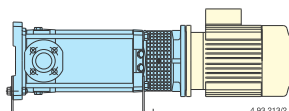


Pump with flanged ports:
pipes with counter-flanges

法蘭口：
水管以相對法蘭連接。

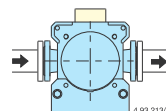


Vertical installation (Standard).
立式安裝 (標準型)。



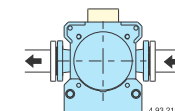
Horizontal installation.
臥式安裝。

Installations 安裝



Variant H1:
suction on the left, delivery on the right.

H1：
入口在左邊，出口在右邊。



Variant H2:
suction on the right, delivery on the left.

H2：
入口在右邊，出口在左邊。

Features - 特色

Long Service Life with Standard Motor

Pump with thrust bearing without additional axial loads on the motor bearings. Any standard motor V1 design (suitable to be lifted in vertical position) can be used, of our choice or of Client's choice.

Easy Assembly of the Motor

With the single-piece sleeve coupling the pump unit can be supplied fully assembled also without the motor. This eliminates the risk of damage caused by shifting of the pump shaft during transportation. The motor is simply inserted in the coupling and fastened to the flange without the necessity for adapting the axial position of the pump shaft.

Extra Safety

Single-piece coupling guard to be removed only by means of a tool, positioned around the lantern bracket, thus avoiding accidental pushing and rubbing against the coupling.

Low Cost Installation

Vertical construction with reduced pump height for installation in small spaces. In-line connections to simplify the piping layout with the possibility of inserting the pump in straight pipe-lines. Disassembly, inspection or cleaning of internal parts without removal of piping.

Robust and Reliable

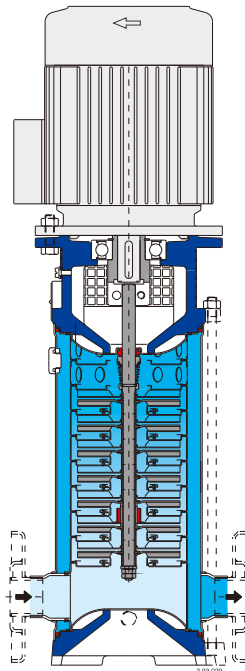
Single PN 25 construction for all pump sizes. The suction and discharge nozzles arranged in-line absorb the forces of the piping on the pump without the creation of distorting loads causing local friction and early wears. The lantern brackets compact and robust design maintains a sure alignment between rotating and fixed parts, reducing vibration. The upper cover design prevents entrapment of air around the mechanical seal.

Low-Noise Operation

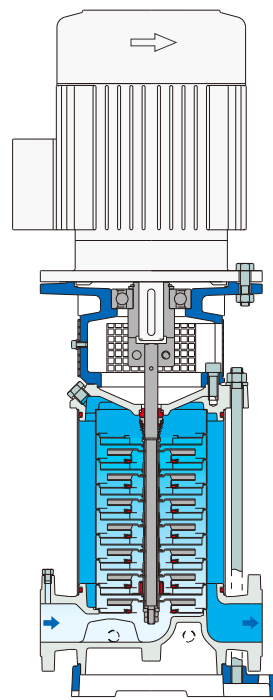
The water filled shroud around the stages and thick external walls, work together for low-noise operation. Low-noise standard motor.

Removable mechanical Seal

Easy removal of the mechanical seal without dismantling the motor (for MXV 50-15, MXV 50-20 and MXV 100 with motors exceeding 4 kW).

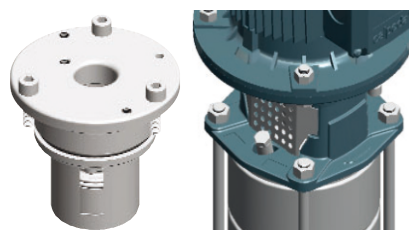


MXV 25, 32, 40, 50



MXV 65, 80

MXV 50-15, MXV 50-20



搭配標準馬達使用，可使壽命更長。泵浦與馬達同軸心之設計，可依照需求，與任何V1立式標準結構之馬達搭配使用。

馬達安裝簡易

一體成形之連軸器設計，泵浦可與馬達分開出貨，如此可減低泵浦軸心在運送途中，造成偏移的風險。馬達可輕易的插至連軸器上，以法蘭口固定即可，無須對準泵浦軸心。

更加安全

聯軸器之防護網只能以工具拆除，放置於托架周圍，可避免意外碰撞或刮傷聯軸器。

低安裝成本

泵浦減少高度的立式結構，可節省安裝所需的空間。直立式配管安裝簡單且可將泵浦直接安裝於直線管路上。無須拆除管路，即可拆卸、檢查或是清潔內部零件。

堅固可靠

PN 25 結構適用於全部泵浦尺寸，吸水及出水口在同一直線上，可吸收泵浦管路的壓力，以降低出入口因變形而產生摩擦與提早磨損之風險。托架簡潔堅固設計，讓轉動及固定零件得以準確對齊，以減少震動產生。頂盤設計，可避免空氣殘留在機械軸封附近。

低噪音操作

泵浦內部注滿液體，以及外殼厚實的構造，使用低噪音標準型馬達以達到低噪音操作。

可拆卸機械軸封

無需拆卸馬達即可輕鬆拆卸機械軸封（適用於馬達功率超過4 kW的MXV 50-15, MXV 50-20和MXV 100系列）。

MXVL 60 Hz AISI 316



Vertical Multi-Stage In-Line Pumps 立式多段泵浦



Construction

Vertical multi-stage pumps with suction and delivery connections of the same diameter and arranged along the same axis (in-line).
Corrosion-resistant bearing sleeves lubricated by the pumped liquid.
Removal of the mechanical seal without dismantling the motor (for MXVL 50, MXVL 100 with motors exceeding 4 kW).
A pump with thrust bearing and sleeve coupling for use of any standard motor with IM V1 construction.

Version with frequency converter (on request)

Applications

For water supply systems.
For clean non-explosive liquids, without solid, filamentary or abrasive matter (with adaptation of sealing materials on request).
A universal pump for civil and industrial use, for pressure-boosting systems, fire-extinguishing systems, high-pressure washing plants, irrigation, agricultural uses and sport installations.

Operating conditions

Temperature of liquid: from -15°C to $+110^{\circ}\text{C}$ (up to $+120^{\circ}\text{C}$ for MXVL 50).
Operating environment temperature: up to 40°C .
Maximum permissible pressure in pump casing: 25 bar (16 bar for pumps with oval flanges).

Motor

Standard-type: 2 pole induction motor, 60 Hz.
Motor suitable for operation with frequency converter.
Classification scheme IE3 for three-phase motors.
Construction IM V1.

Insulation class F. Protection IP 55.
Three-phase with rated voltage: 220/380 V, 220/440 V, up to 3 kW;
380/660 V, from 4 to 45 kW;

結構

直立多段不銹鋼泵浦，吸水和排水口尺寸相同，且並列於同一直線上(In-line)
抗腐蝕之袖套可藉由泵浦輸送之液體加以潤滑，在不拆卸馬達的情況下拆除機械軸封（適用於馬達功率超過4 kW的MXV 50、MXV 100系列）。
泵浦軸承及連軸器之設計，可與任何IM V1標準結構之馬達搭配使用

搭配變頻器（依需求提供）

應用

- 供水系統。
- 無爆裂物質、無顆粒、無雜質、或不具腐蝕性之乾淨液體（依需求供應適用之軸封材質）。
- 泛用型泵浦，適用於民生、工業、加壓系統、消防設備、高壓清洗機、農業灌溉及運動場地之應用。

操作條件

液體溫度 -15°C 至 $+110^{\circ}\text{C}$ （MXVL 50最高可達 120°C ）
周圍溫度至 40°C
泵浦本體可承受最大壓力值為25 bar。
（橢圓形法蘭的泵浦為16bar）

馬達

標準類型：2極感應電動馬達，60Hz。
馬達適用運作於變頻器。
使用歐盟效能指標高效率IE3馬達。
結構為IM V1。
絕緣等級：F 保護等級：IP55
三相之額定電壓：3kW以下為220/380V, 220/440V
4至45kW為380/660V

MXVL 60 Hz AISI 316



MXVL 25, 32, 40, 50

All parts that come into contact with the liquid, including wet-end covers, are in chrome-nickel-molybdenum stainless steel AISI 316L.

Materials (wetted parts)

Component	Material
Flange - External jacket Suction casing Delivery casing Stage casing - Impeller Lower cover - Upper cover Spacer sleeve	Chrome-nickel-molybdenum steel 1.4404 EN 10088 (AISI 316L)
Pump shaft Plug	Chrome-nickel-molybdenum steel 1.4404 EN 10088 (AISI 316L)
Bearing sleeve Bearing in stage casing	Corrosion-resistant, cemented carbide Ceramic alumina
Mechanical seal ISO 3069 KU	Hard metal/Carbon/EPDM.
Wear ring	PPS (PTFE for MXVL 40)
O-rings	NBR (EPDM para MXVL 50)

Direction of rotation: **clockwise** as seen from the motor.

Variants (to be specified when ordering)

Pump with threaded ports (**G**) (for MXVL 25, 32, 40).
Pump with flanged ports (**F**). Pump with oval flange ports (**O**) (for MXVL 50).
Pump without motor. Pump with standard motor.

Other variants (on request)

With counter-flanges in chrome-nickel steel.
O-rings FPM. - Other mechanical seal.
Pump with motor of Client's choice (if available).
Single-phase motor 220 V, up to 2.2 kW. Other voltage ratings.
Higher or lower liquid or ambient temperatures.

MXVL 65, 80, 100

Internal parts in contact with the liquid with pump casing and upper cover in chrome-nickel-molybdenum stainless steel AISI 316L

Materials (wetted parts)

Component	Material
Pump casing Upper cover	Chrome-nickel-molybdenum steel 1.4404 EN 10088 (AISI 316L)
External jacket Stage casing Impeller Spacer sleeve	Chrome-nickel-molybdenum steel 1.4404 EN 10088 (AISI 316L)
Pump shaft Plug	Cr-Ni-Mo steel AISI 316 (AISI 329 for MXVL 100) Cr-Ni steel AISI 316
Bearing sleeve Bearing in stage casing	Corrosion-resistant, cemented carbide Ceramic alumina (Corrosion-resistant, cemented carbide for MXVL 100)
Mechanical seal ISO 3069 - KU	Hard metal/Carbon/EPDM
Wear ring	PTFE
O-rings	NBR (EPDM for MXVL 100)

Direction of rotation: **anticlockwise** as seen from the motor (**clockwise** as seen from the motor for MXVL 100).

Variants (to be specified when ordering)

Pump without motor. - Pump with standard motor.

Other variants (on request)

O-rings FPM. Other mechanical seal.
Pump with motor of Client's choice (if available).
Other voltage ratings.
Pump with support feet for horizontal installation (**H1** or **H2**).
Support feet for horizontal installation, set.
Welding counter-flanges, PN 25 (steel).
Higher or lower liquid or ambient temperatures.

MXVL 25, 32, 40, 50

與液體接觸之全部零件，皆為AISI 316L不銹鋼材質。

材質 (與液體接觸部分)

零件	材質
法蘭 - 泵浦外殼 吸入端外殼 出水罩 導葉輪 - 葉片 底盤 - 頂盤 軸套	不銹鋼材質 1.4404 EN 10088 (AISI 316L)
泵浦軸心 塞頭	不銹鋼材質 1.4404 EN 10088 (AISI 316L)
水潤滑軸承 導葉輪含軸承	抗腐蝕，強化碳化合物 氧化鋁陶瓷
機械軸封 ISO 3069 KU	硬金屬 / 碳精 / EPDM
磨損環	PPS (MXVL 40 為 PTFE)
O型環	NBR (MXVL 50 為 EPDM)

運轉方向：從馬達端往下看，為**順時針**方向。

泵浦結構之搭配 (請於訂購時指定)

(**G**)牙口泵浦：MXVL 25, 32, 40系列 (**F**)法蘭口泵浦
(**O**)橢圓形法蘭：MXVL 50系列
泵浦不含馬達 泵浦含標準型馬達

其他搭配 (依需求提供)

搭配不銹鋼相對法蘭
FPM材質O型環
其他材質機械軸封
泵浦搭配客戶指定之馬達
單相220V、2.2kW以下之馬達
更高或低液體或周圍溫度需求

MXVL 65, 80, 100

內部與液體接觸之零件、泵浦外殼及上蓋，皆為AISI 316L不銹鋼材質

材質(與液體接觸部分)

零件	材質
下座 頂盤	不銹鋼 1.4404 EN 10088 (AISI 316L)
泵浦外罩 導葉輪 葉片 軸套	不銹鋼 1.4404 EN 10088 (AISI 316L)
泵浦軸心 塞頭	不銹鋼 AISI 316 (MXVL 100 為 AISI 329) 不銹鋼 AISI 316
水潤滑軸承 導葉輪含軸承	抗腐蝕，強化碳化合物 氧化鋁陶瓷 (MXVL 100 為抗腐蝕，強化碳化合物)
機械軸封 ISO 3069 KU	硬金屬 / 碳精 / EPDM
磨損環	PTFE
O型環	NBR (MXVL 100 為 EPDM)

運轉方向：從馬達端往下看，為**逆時針**方向。
(MXVL 100 為順時針方向)

泵浦結構之搭配 (請於訂購時指定)

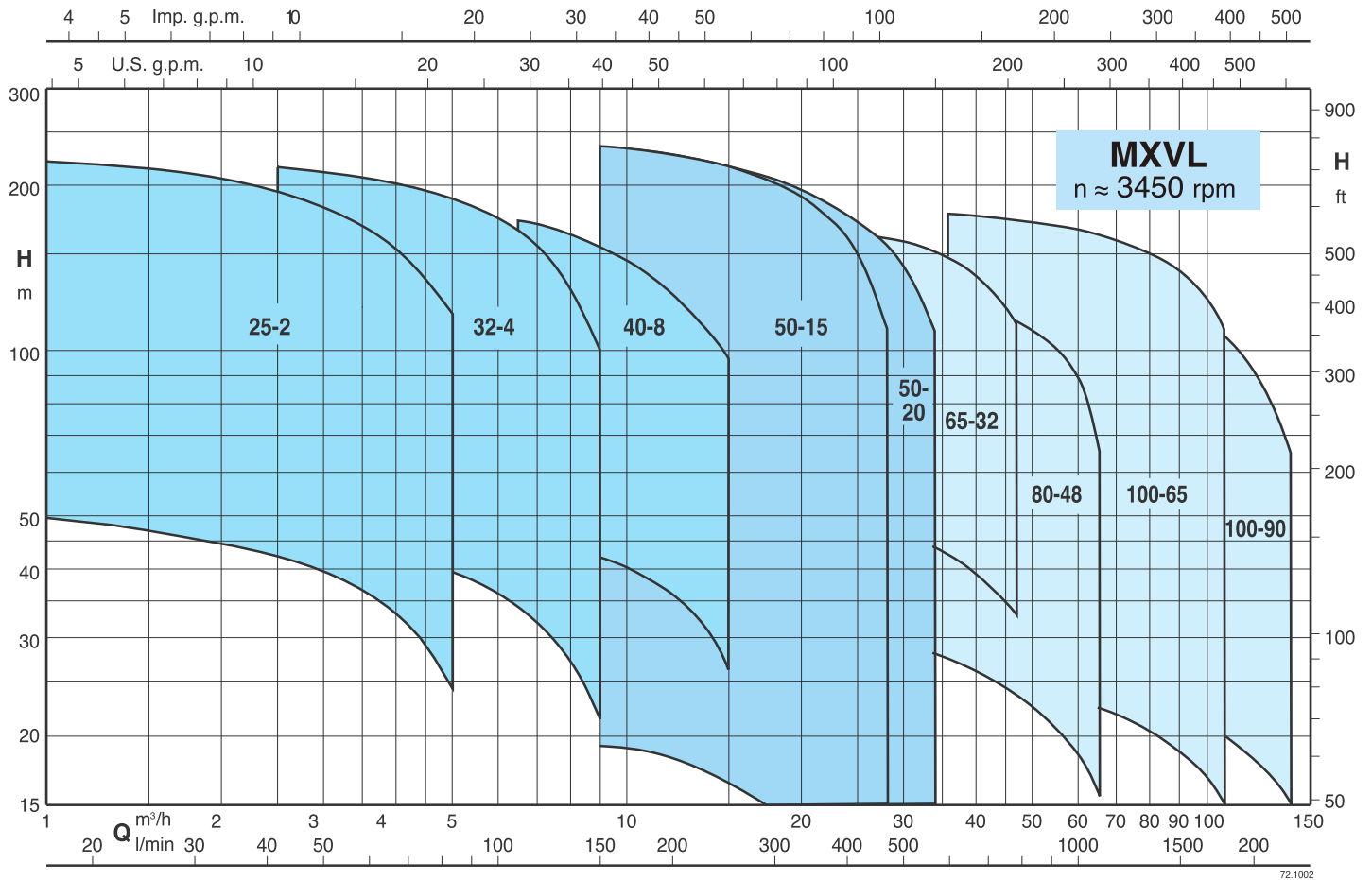
泵浦不含馬達 - 泵浦含標準型馬達。

其他搭配 (依需求提供)

FPM材質O型環
其他材質機械軸封
泵浦搭配客戶指定之馬達
其他額定電壓
泵浦以臥式安裝(**H1**或**H2**)所需搭配的腳架
臥式安裝所需之腳架組件
焊接相對法蘭，PN 25(不銹鋼)
更高或低液體或周圍溫度需求

Coverage chart - 性能總表

n ≈ 3450 rpm



Designation

Series _____
 AISI 316 version _____
 With frequency converter I-MAT _____
 DN ports in mm _____
 Rated capacity in m³/h (n = 3450 rpm) _____
 Number of stages _____

Construction variants
 threaded ports (for MXVL 25,32,48) _____ G
 flanged ports (for MXVL 25,32,48,50) _____ F
 Oval Flange Ports (for MXVL 50) _____ O
 with support feet for horizontal installation H, variant 1 (for MXV 50,65,80,100) _____
 with motor (or without motor) _____

* with no further designation = with standard motor

MXV L EI 65-32 05 H1 *
 MXV L EI 25- 2 05 G *

型號說明

機種代號 _____
 AISI 316材質 _____
 加裝I-MAT變頻器 _____
 DN口徑 (單位:mm) _____
 水量單位 m³/h (n = 3450 rpm) _____
 葉片段數 _____

結構上特殊需求
 牙口 (適用於MXVL 25,32,48) _____ G
 法蘭口 (適用於MXVL 25,32,48,50) _____ F
 橢圓形法蘭 (適用於MXVL 50) _____ O
 臥式安裝所配置腳架 (適用於MXVL 50,65,80,100) _____
 附馬達 (或無附馬達) _____

*且無任何描述=附標準馬達

MXV L EI 50-16 05 H1 *
 MXV L EI 25- 2 05 G *

For characteristic curves, dimensions and weights see MXV
 性能曲線和尺寸與重量可參考MXV